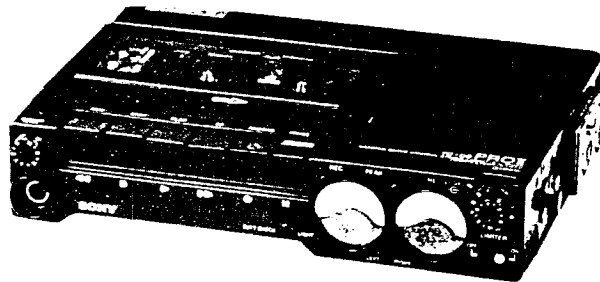


TC-D5PROII

US Model
E Model



SPECIFICATIONS

Recording system	4-track 2-channel stereo	Outputs	Two line outputs (phono jacks):
Fast winding time	Approx. 150 sec with Sony C-60 cassette		Output level 0.44 V at load impedance 47 kilohms (Output impedance: less than 4.7 kilohms)
Bias frequency	85 kHz		Headphones jack (stereo phone jack):
Signal-to-noise ratio	DOLBY NR OFF		Maximum output level 20 mW + 20 mW at 10% harmonic distortion, at load impedance 8 ohms (For headphones from 8 to 300 ohms)
	Type III (FeCr) cassette: 58dB at peak level (NAB)	Speaker	Approx. 5 cm (2 inches) diameter
	Type II (CrO ₂) cassette: 56dB at peak level (NAB)	Power output	200 mW (at 10% harmonic distortion) at DC operation
	Type I (Normal) cassette: 55dB at peak level (NAB)		
	DOLBY NR ON		
	Type III (FeCr) cassette: 64dB at peak level (NAB)		
	Type II (CrO ₂) cassette: 62dB at peak level (NAB)		
	Type I (Normal) cassette: 61dB at peak level (NAB)		
Total harmonic distortion	0.9% at 315Hz (Type II cassette)		0dB = 0.775 V
Frequency response	Type III (FeCr) cassette: 40—16000Hz (± 3dB)	Supplied accessories	Connecting cord (1) Carrying case (1) Shoulder belt (1) Belt (1)
	Type II (CrO ₂) cassette: 40—15000Hz (± 3dB)		
	Type I (Normal) cassette: 40—14000Hz (± 3dB)		
Wow and flutter	0.06% WRMS (NAB) ± 0.17% (DIN)		
Inputs	Two microphone input connectors (XLR-3-31 type, balanced) Sensitivity 0.28 mV, for low impedance microphones		

— Continued on page 2 —

'Dolby' and the double-D symbol are the trade marks of Dolby Laboratories Licensing Corporation. Noise reduction system manufactured under license from Dolby Laboratories Licensing Corporation.

STEREO CASSETTE-CORDER
SONY®



1600

TC

GENERAL

Power requirements	3V DC, Two IEC designation R20 (size D) batteries External power input jack: required voltage 6V: from optional AC power adaptor AC-D468 from 12V car battery with optional DCC-127A car battery cord
Battery life	Approx. 2.5 hours of continuous recording using Sony SUM-1(NS) New Super Batteries Approx. 4.5 hours of continuous recording using Sony AM1 Alkaline Batteries
Dimensions	Approx. 242 x 48 x 168 mm (w/h/d) (9 ⁵ / ₈ x 1 ¹⁵ / ₁₆ x 6 ⁵ / ₈ inches) including projecting parts and controls
Weight	Approx. 1.7 kg (3 lb 12 oz) including batteries

FEATURES

CANNON XLR female microphone input connectors for balanced inputs.

MIC ATT switch for successful recording of very loud sources.

LIMITER switch prevents saturation of the tape by very high transient input peaks.

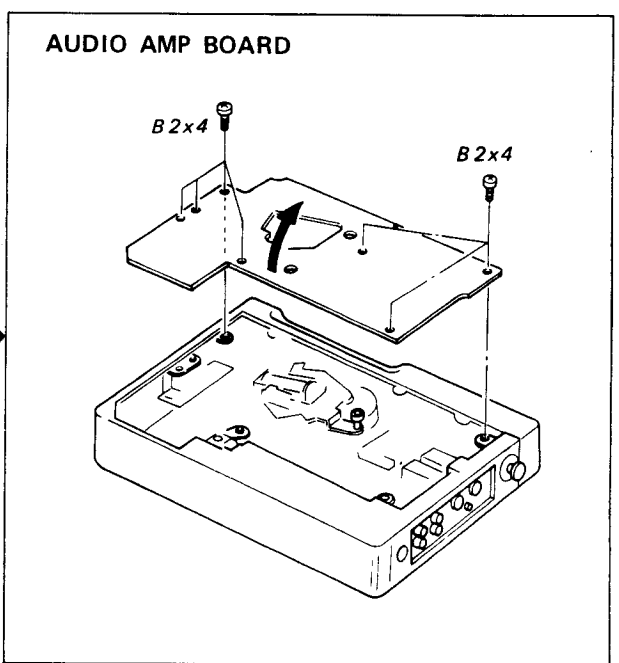
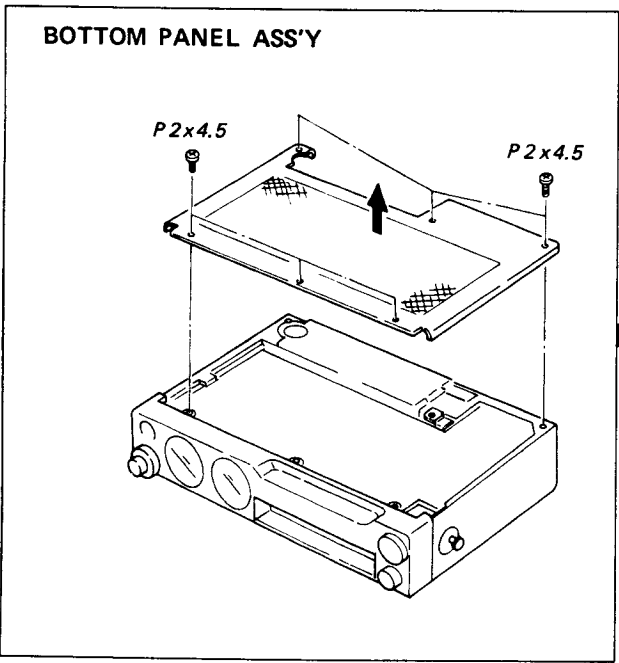
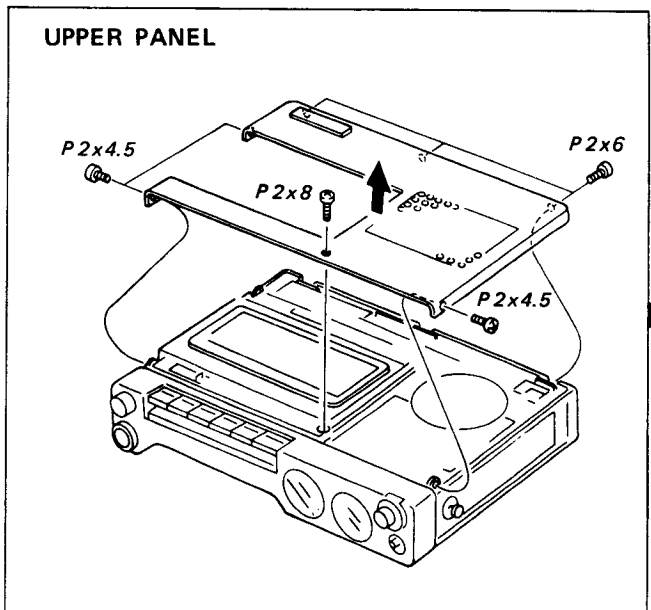
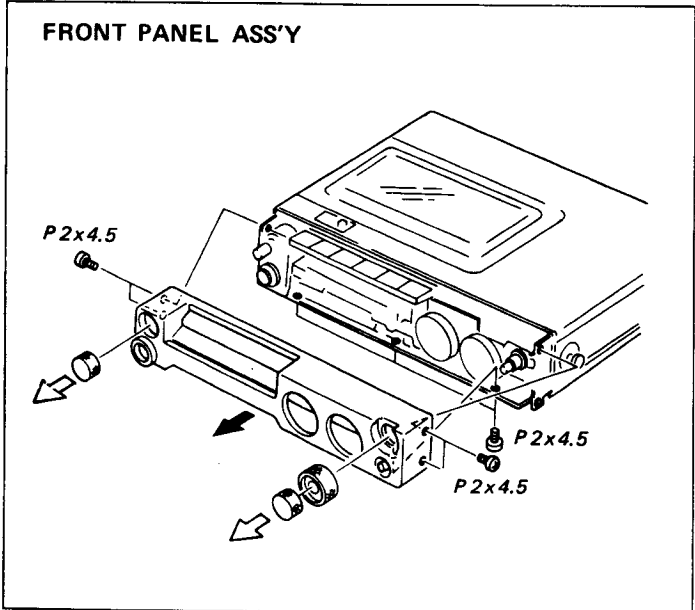
Two illuminated VU meters and LED PEAK indicator allow accurate monitoring of both average and transient input levels.

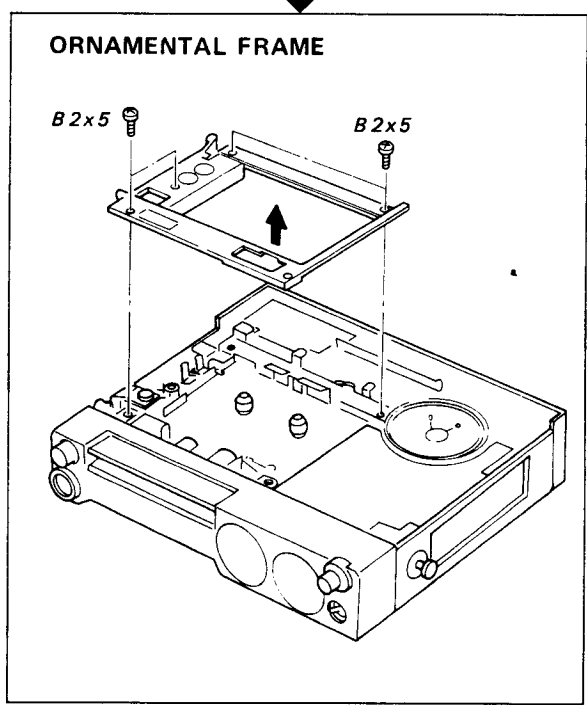
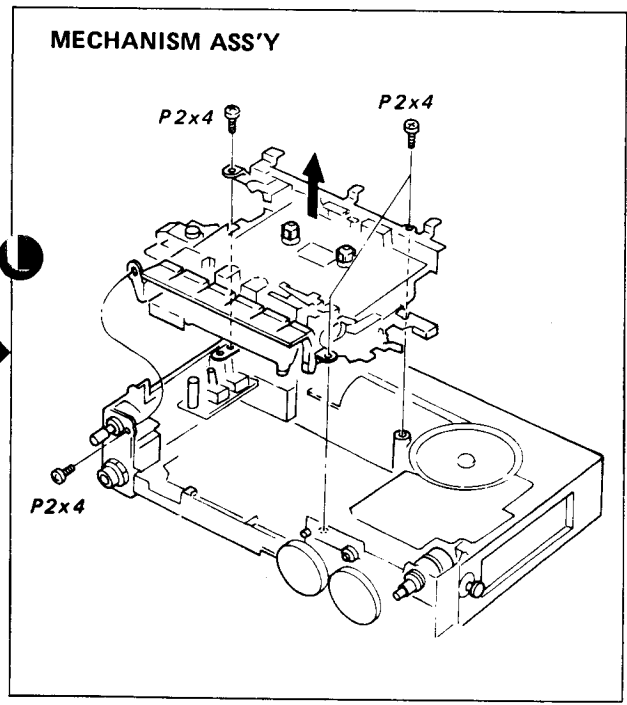
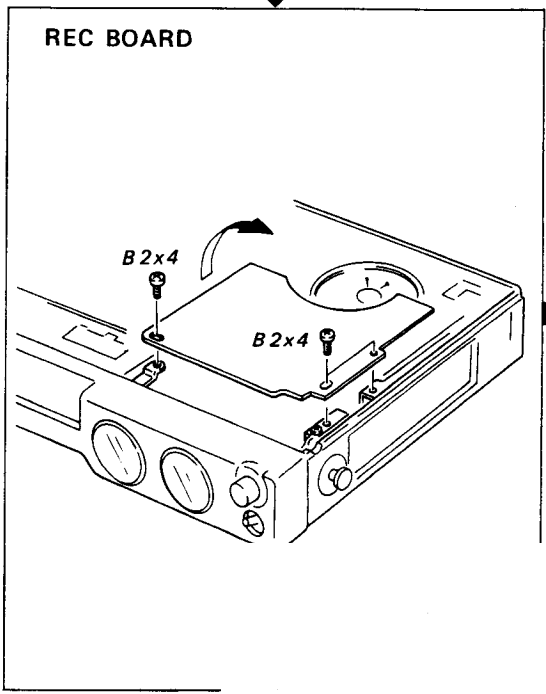
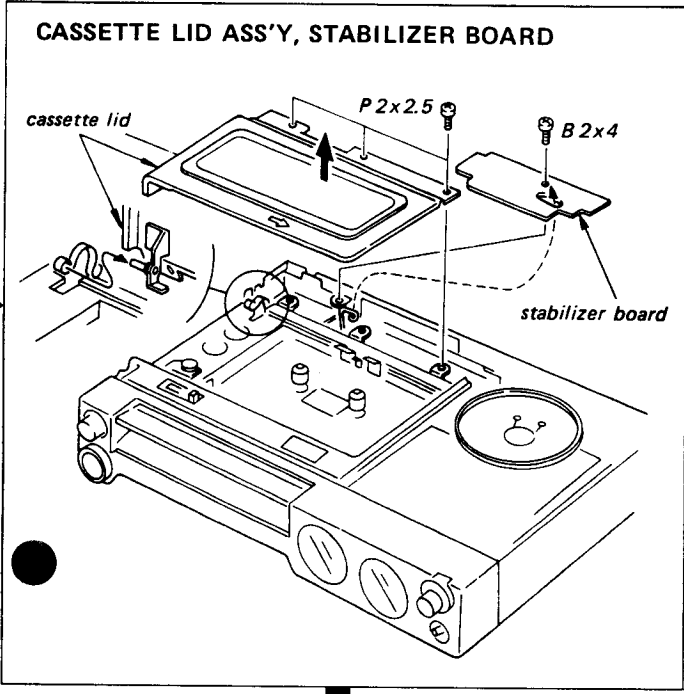
CONTENTS

SECTION 1 DISASSEMBLY	P. 3
SECTION 2 OUTLINE	P. 6
2-1. BLOCK DIAGRAM	P. 6
2-2. MECHANICAL OPERATION	P. 8
SECTION 3 DIAGRAMS	P. 9
3-1. MOUNTING DIAGRAM	P. 9
3-2. SCHEMATIC DIAGRAM	P.13
SECTION 4 ADJUSTMENT	P.16
4-1. MECHANICAL ADJUSTMENT	P.16
4-2. ELECTRICAL ADJUSTMENT	P.18
SECTION 5 EXPLODED VIEWS	P.22
SECTION 6 ELECTRICAL PARTS LIST	P.29

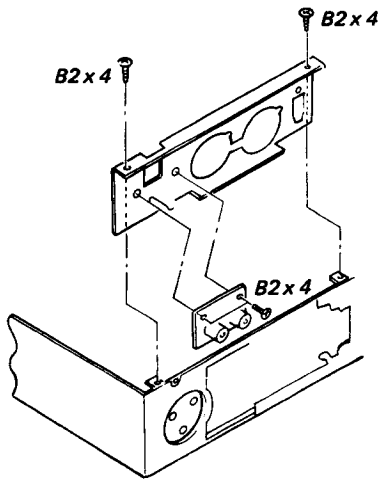
SECTION 1 DISASSEMBLY

Note: Follow the disassembly procedure in the numerical order given.

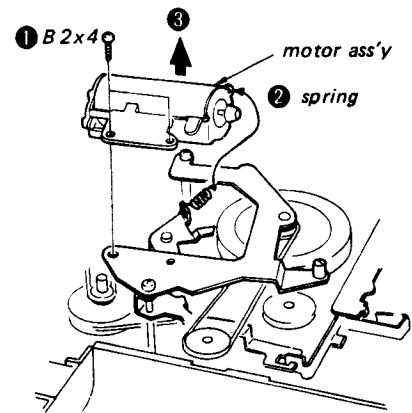




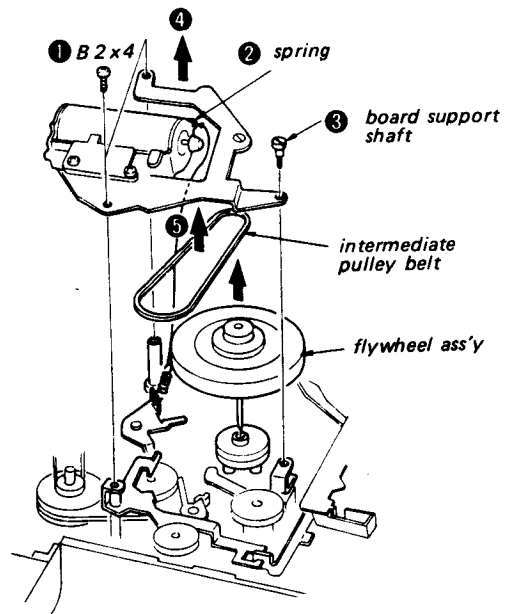
2 PIN JACK



MOTOR ASS'Y

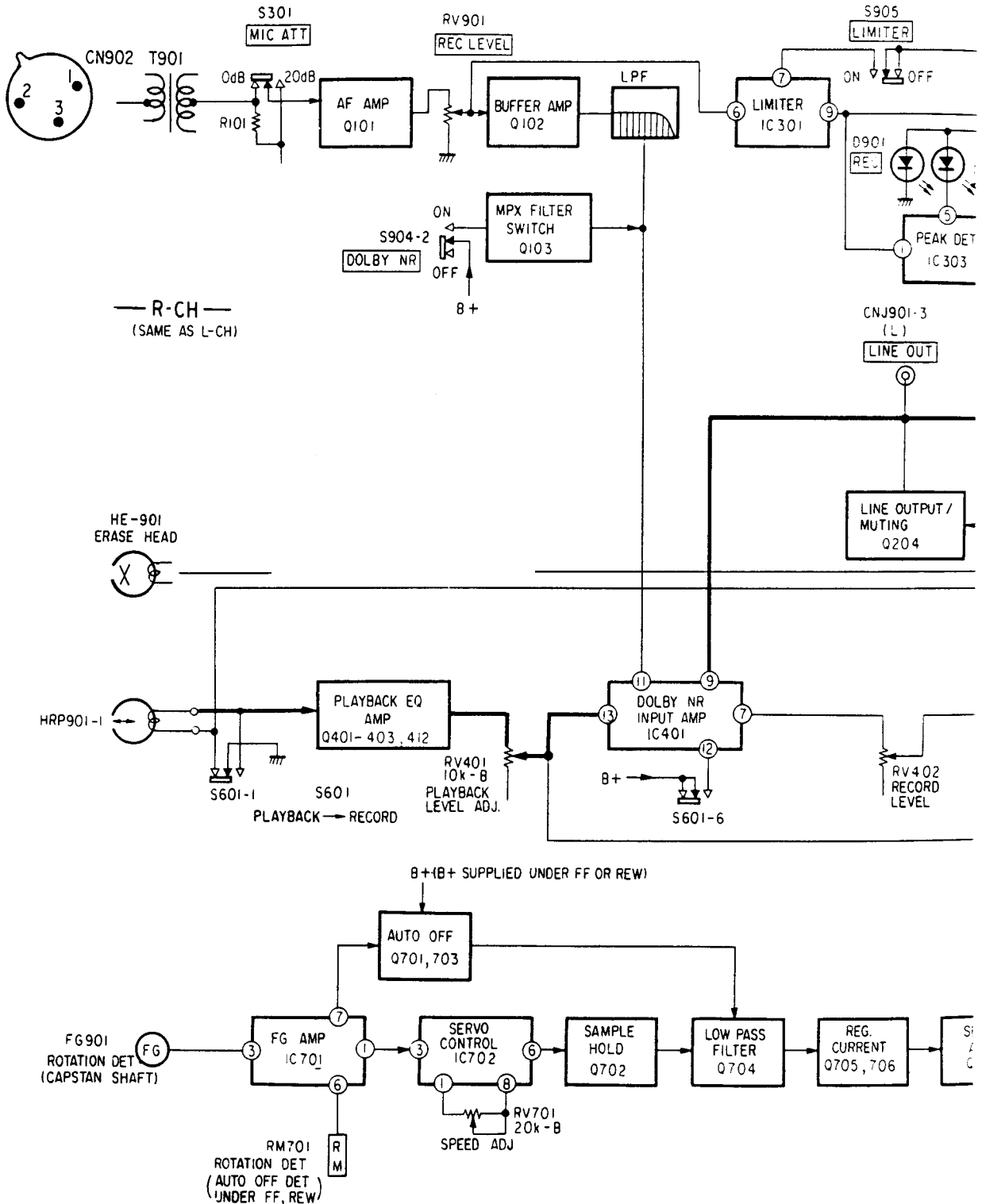


FLYWHEEL

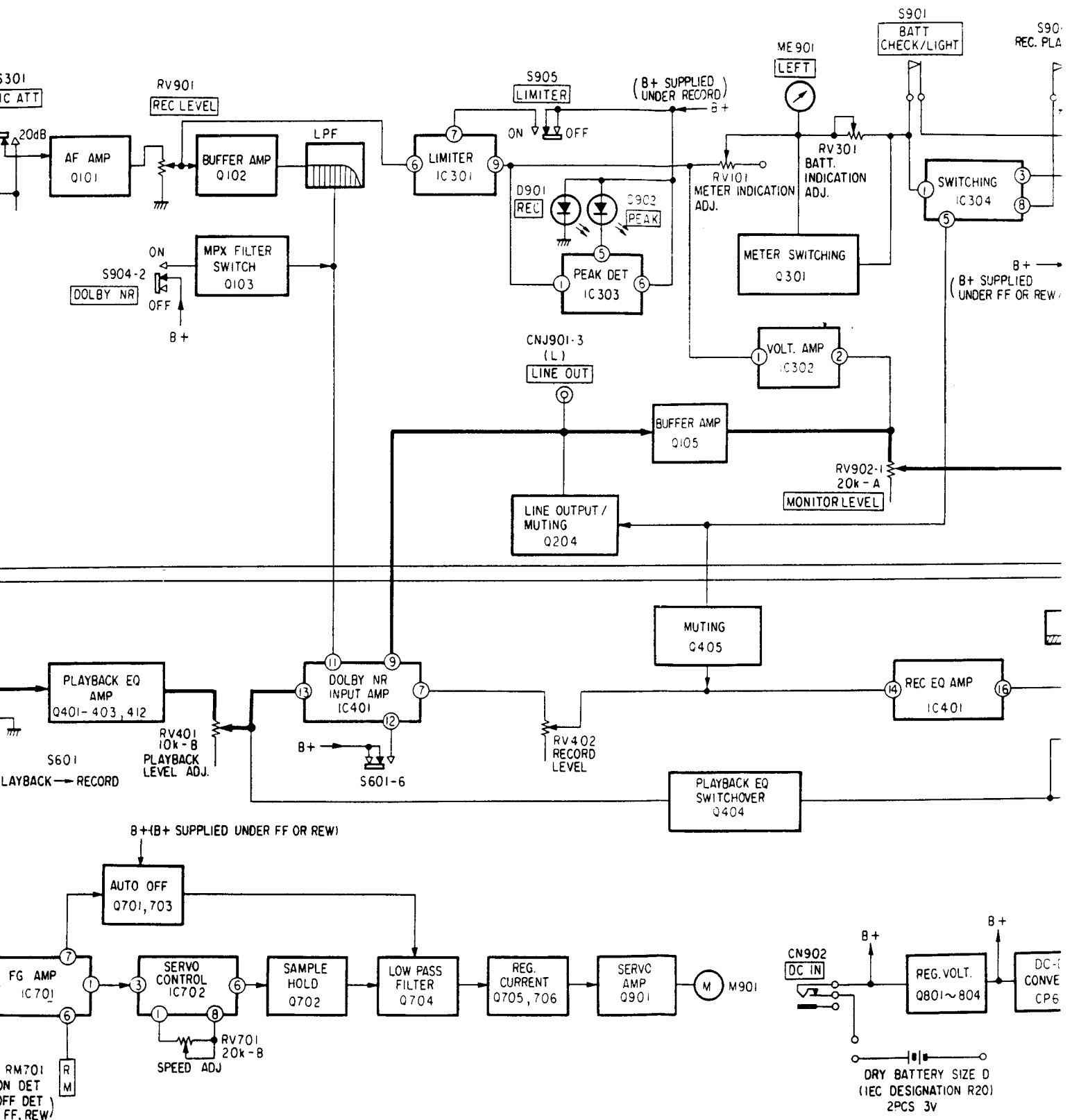


SECTION 2 OUTLINE

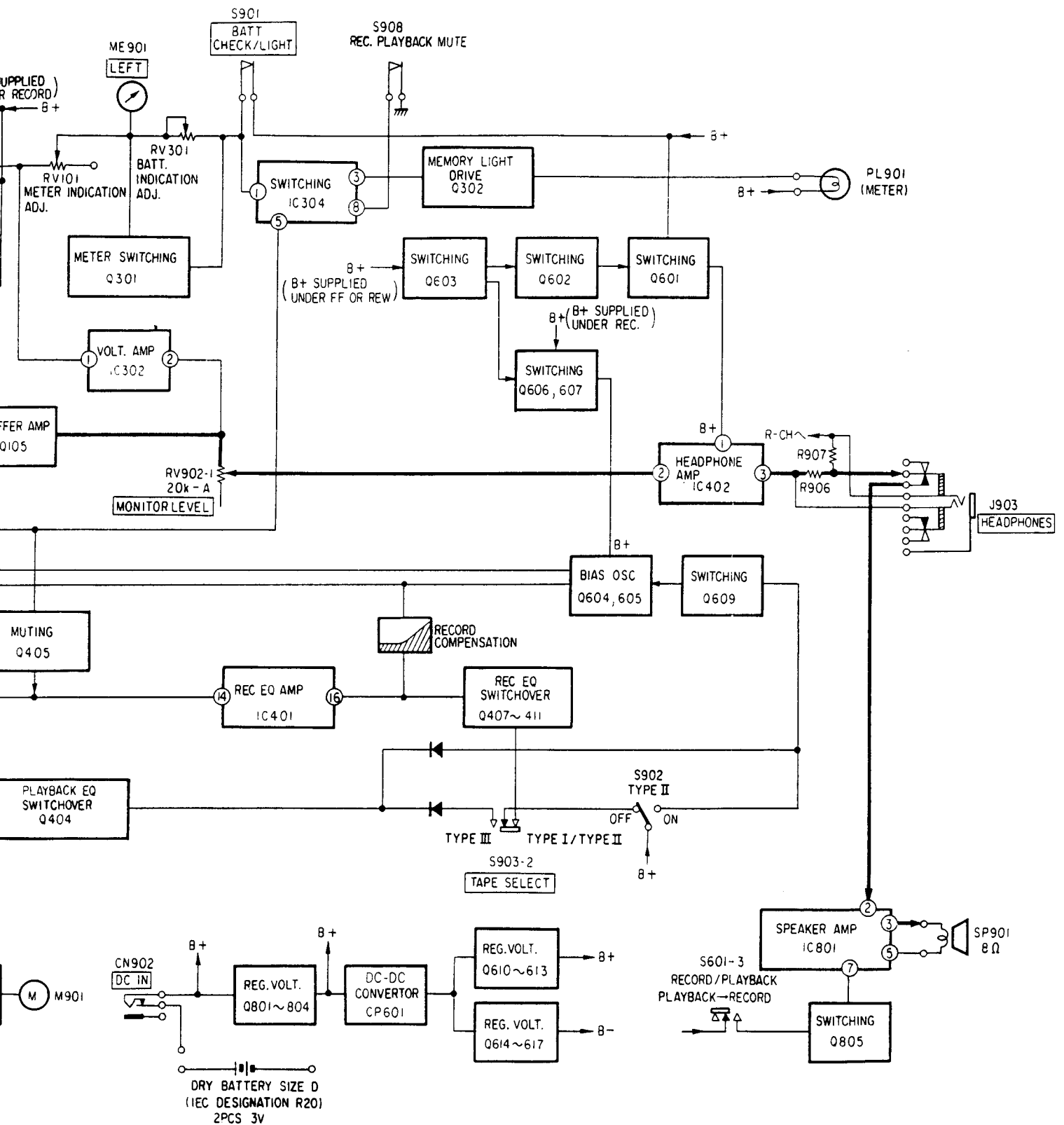
2-1. BLOCK DIAGRAM



SECTION 2 OUTLINE



TC-D5PRO I



2-2. MECHANICAL OPERATION

• Disc Drive System

An elastic rubber coating is applied to the flywheel and the motor pulley is pressed directly against this rubber coating to drive the flywheel.

The compliance of this elastic materials and the inertial mass of the flywheel together function as a mechanical filter, to eliminate any flutter components above approximately 100 Hz.

Motor torque increases in inverse proportion to wheel.

Meanwhile, since the inertial mass of the flywheel itself is low, excellent start-up characteristics (The time from start-up to rated speed is less than 0.2 sec) and anti-rolling effect are obtained.

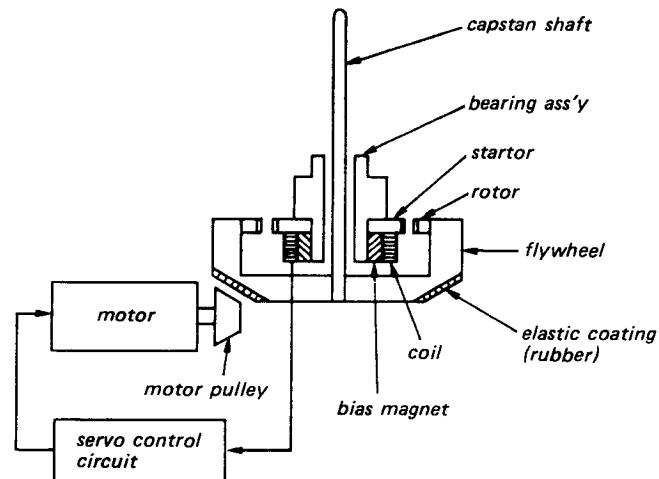
• Capstan Servo Control Mechanism

The speed is detected through the flywheel which is directly coupled to the capstan, to apply the servo control.

As shown in Fig. 1-1, the bearing assembly comprises a bias magnet, coil, and startor.

The flywheel has a rotor and the coil senses fluctuations in magnetic flux caused by variations in the air gap between the rotor and the stator, to generate the servo control frequencies.

This serves to remove any wow components from 10Hz down to the vicinity of DC, to improve the anti-rolling effect.



3
PHONES

SECTION 3 DIAGRAMS

TC-D5PRO II

Semiconductor Lead Layouts

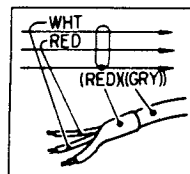
<p>CX174 16151413121110 9 1 2 3 4 5 6 7 8 (Top view)</p>	<p>2SA 844 2SA 1027 R</p>	<p>2SK 30A</p>
<p>UPC358C</p>	<p>2SA 836</p>	<p>2SB731-K</p>
<p>CX069 CX184</p>	<p>2SC1345-E 2SC1364 2SC1474 2SC1634 2SC2001-K2</p>	<p>1S1555 1T22AM 1T40 10E.1 10E.2 HZ6B2N HZ6B21</p>
<p>BX338</p>	<p>2SD788</p>	<p>DM-1064</p>
<p>BX337</p>	<p>2SA1115SP 2SA739 2SA772-23 2SA952 2SA739 2SB739</p>	<p>SLP24B</p>
<p>BX335</p>	<p>2SC633SP</p>	<p>2SC634SP</p>
	<p>2SK43-13</p>	

3-1. MOUNTING DIAGRAM

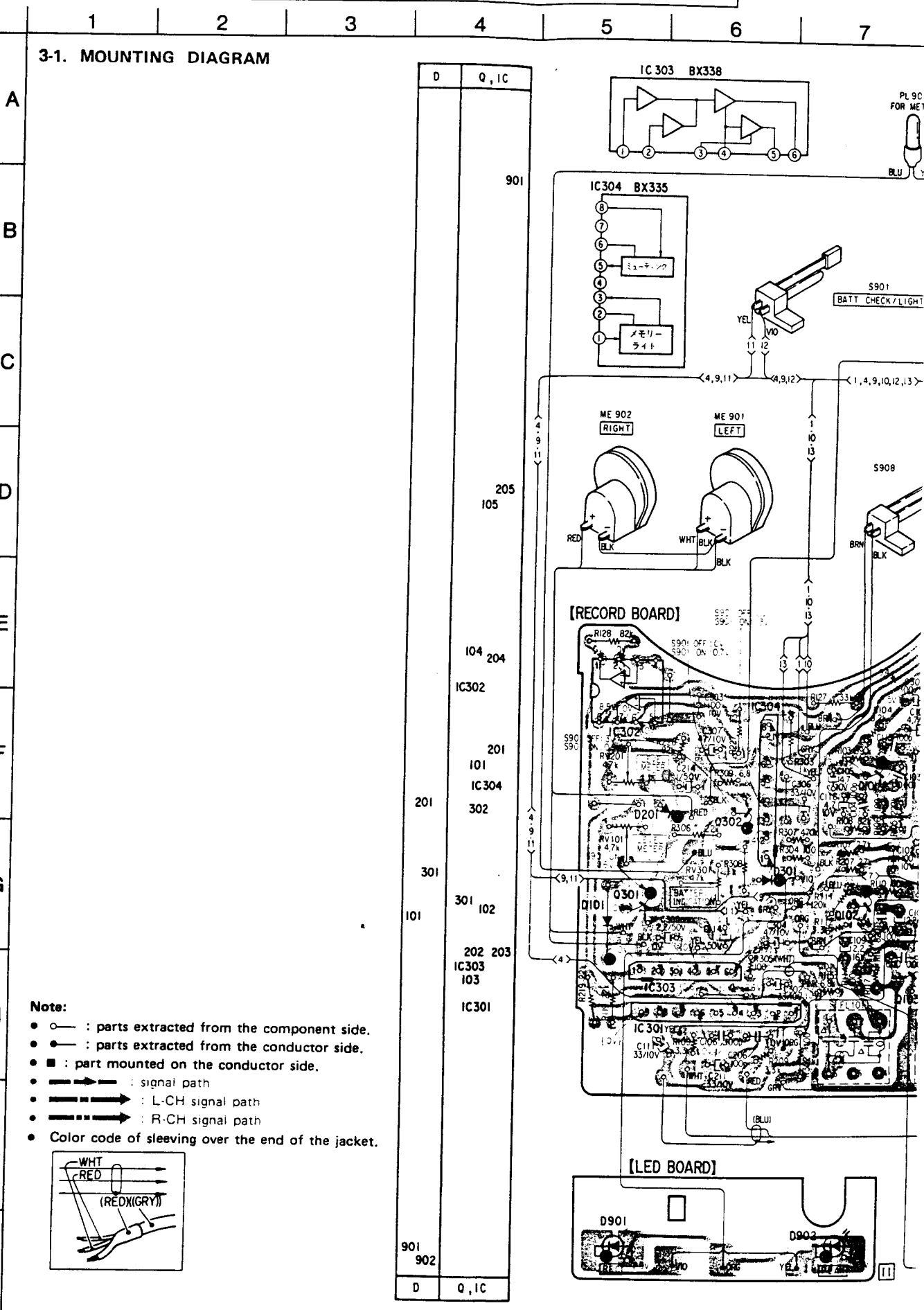
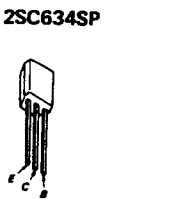
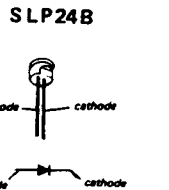
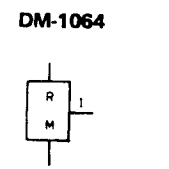
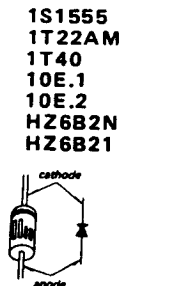
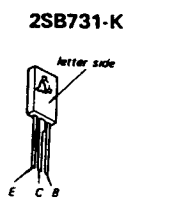
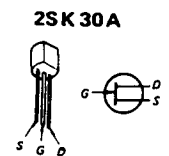
	1	2	3	4
A				D Q, 1
B				
C				
D				105
E				104 2C IC302
F				2C 101 IC30 302
G				201 301 101 301 102
H				202 2 IC303 103 IC301
I				901 902
J				D Q, IC

Note:

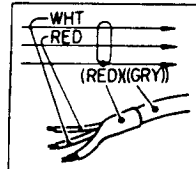
- ○ : parts extracted from the component side.
- ● : parts extracted from the conductor side.
- : part mounted on the conductor side.
- → : signal path
- → : L-CH signal path
- → : R-CH signal path
- : Color code of sleeving over the end of the jacket.



3-1. MOUNTING DIAGRAM

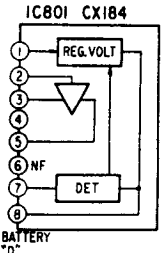
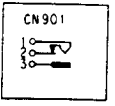
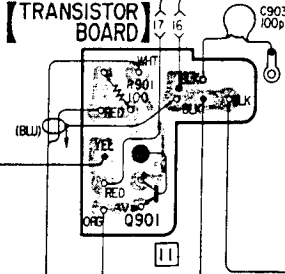
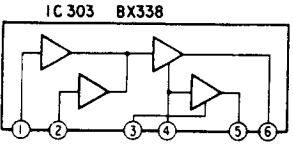


- Note:**
- — : parts extracted from the component side.
 - — : parts extracted from the conductor side.
 - : part mounted on the conductor side.
 - : signal path
 - : L-CH signal path
 - : R-CH signal path
 - : Color code of sleeving over the end of the jacket.

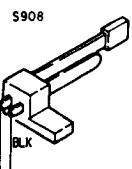
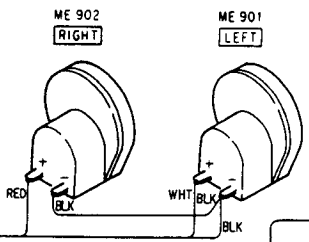
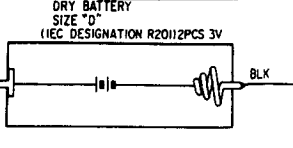
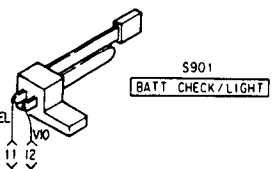
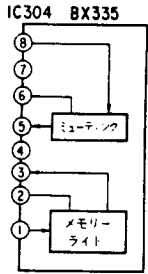


D	Q, IC
901	
205	
105	
104	204
IC302	
201	
101	IC304
201	302
301	
101	301
202	203
IC303	103
IC301	
901	
902	
D	Q, IC

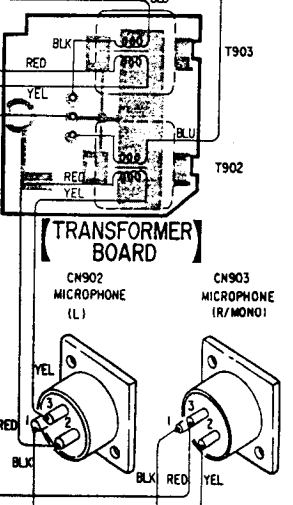
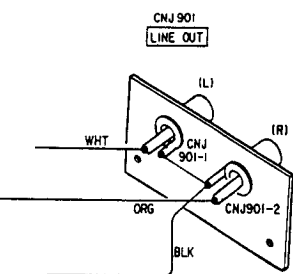
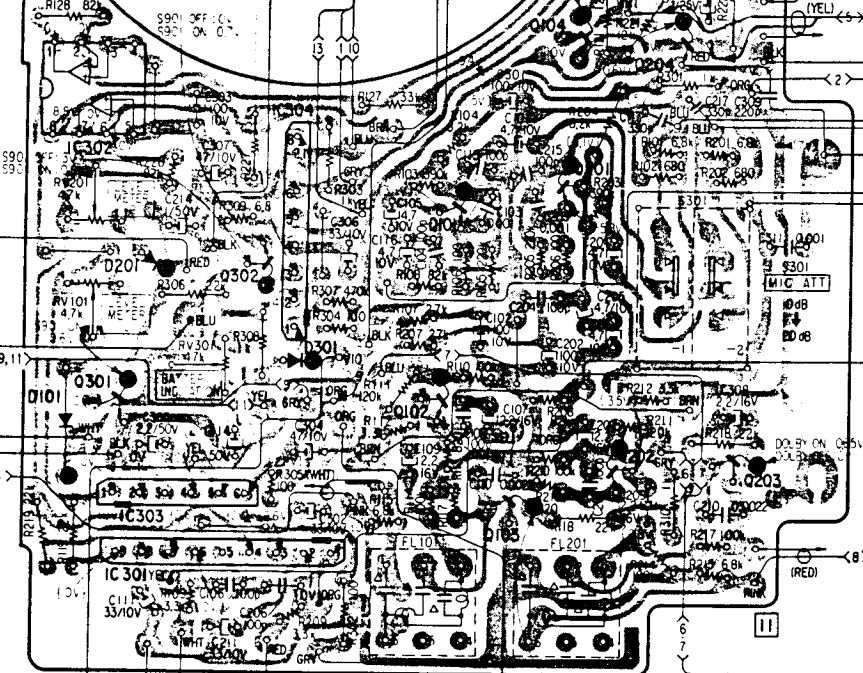
5 6 7 8 9 10 11 12



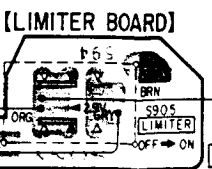
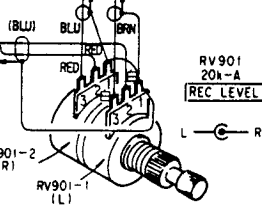
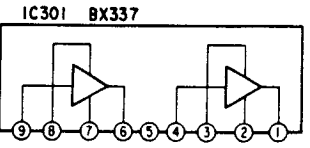
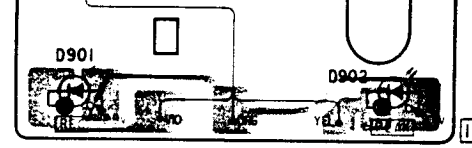
D	Q, IC
	802
	801 IC80
	801 80
	80
	804



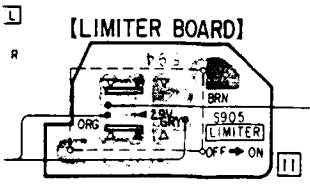
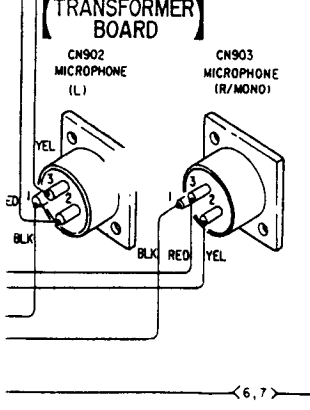
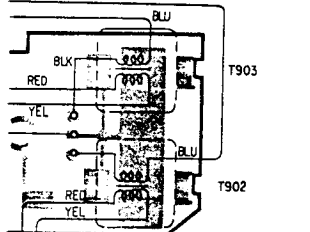
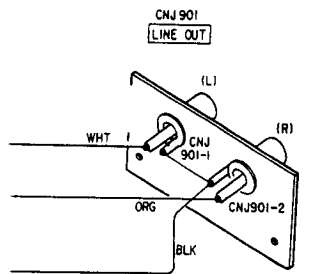
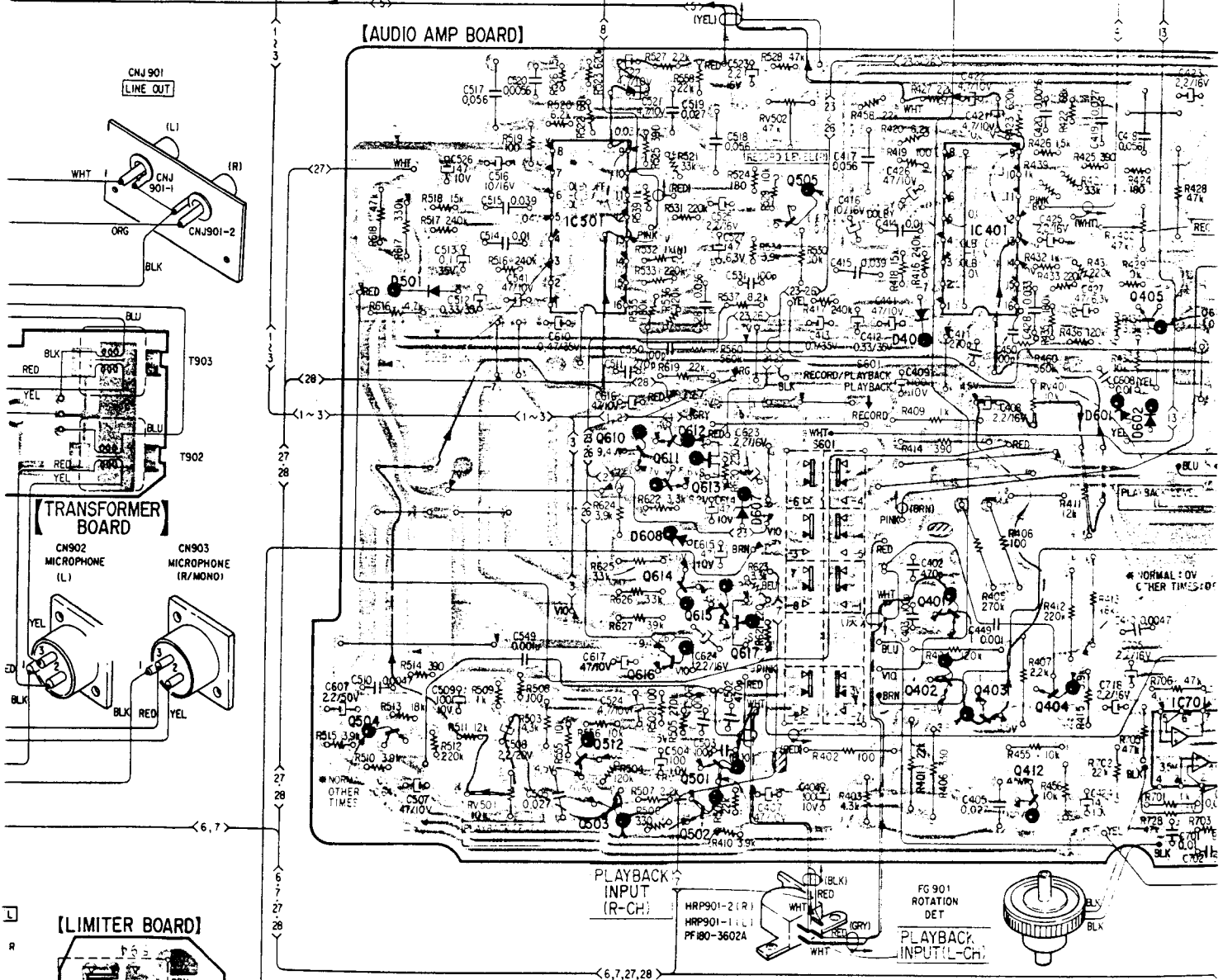
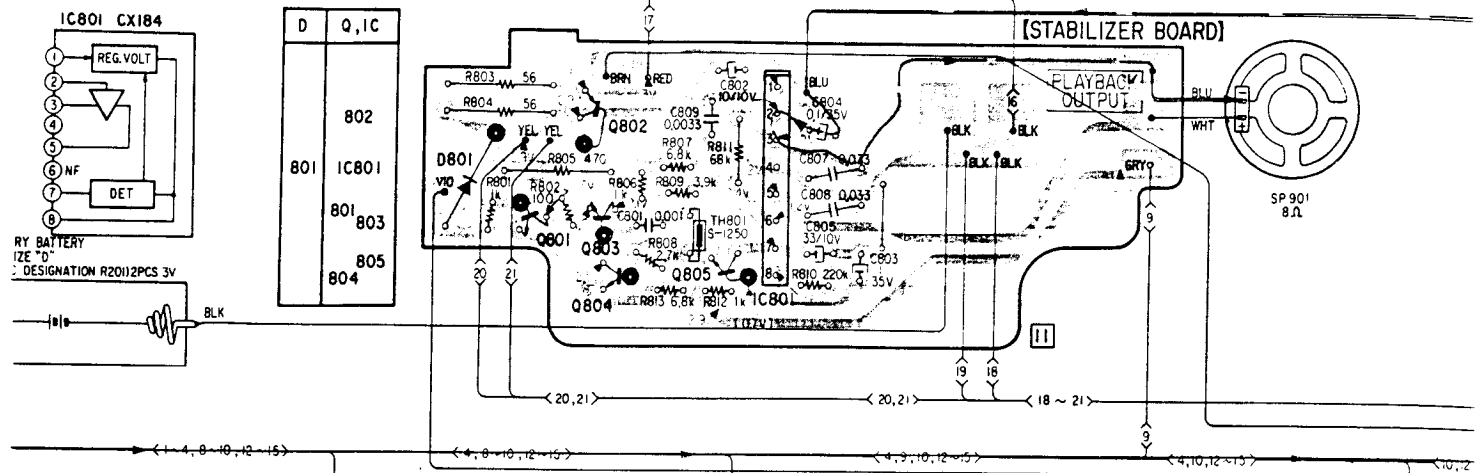
[RECORD BOARD]



[LED BOARD]

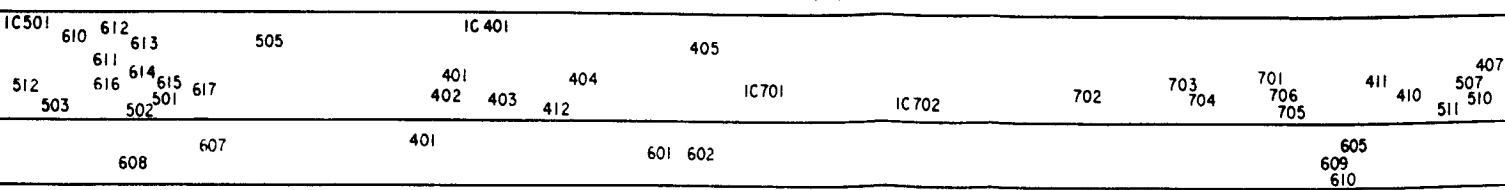
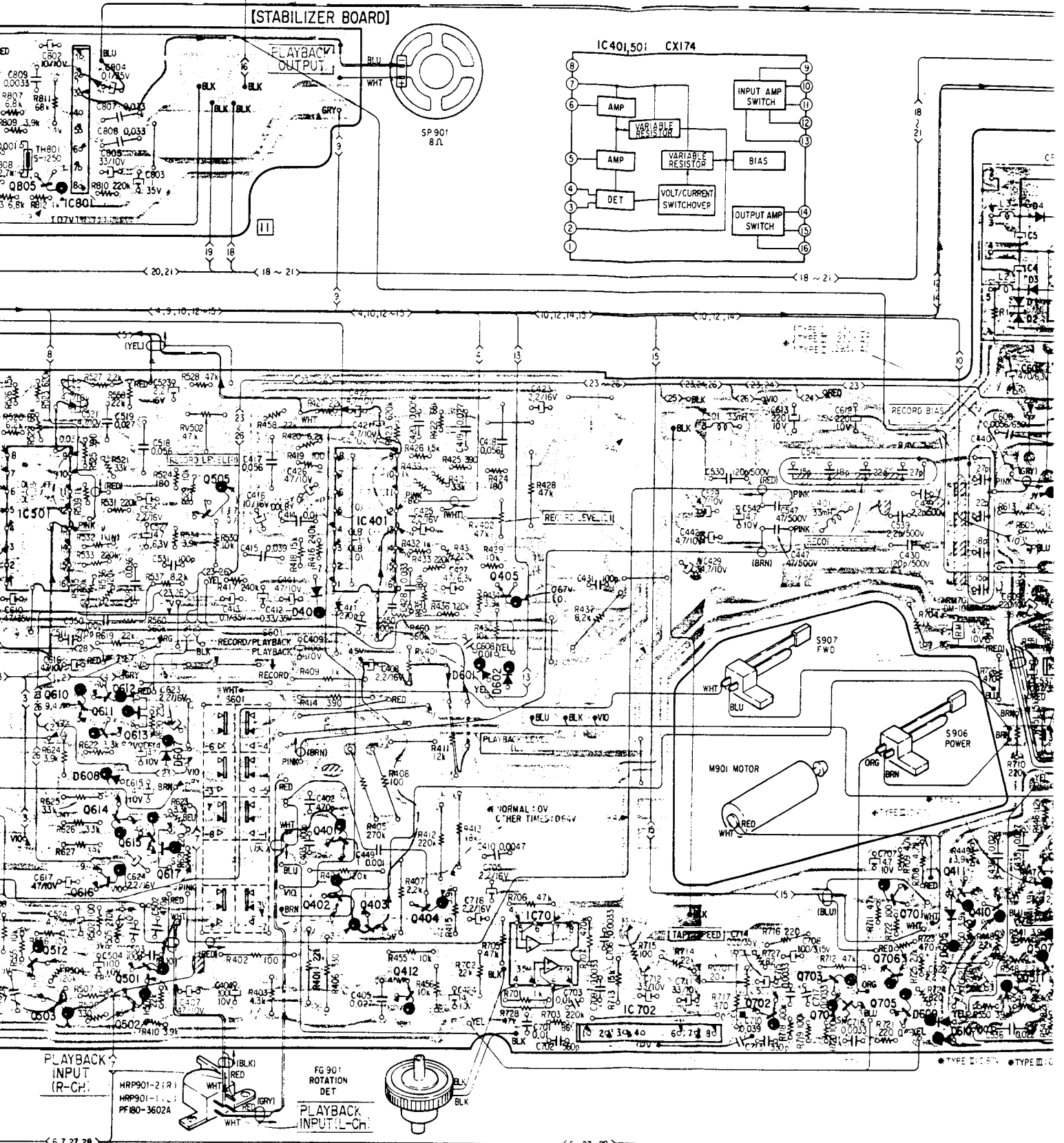


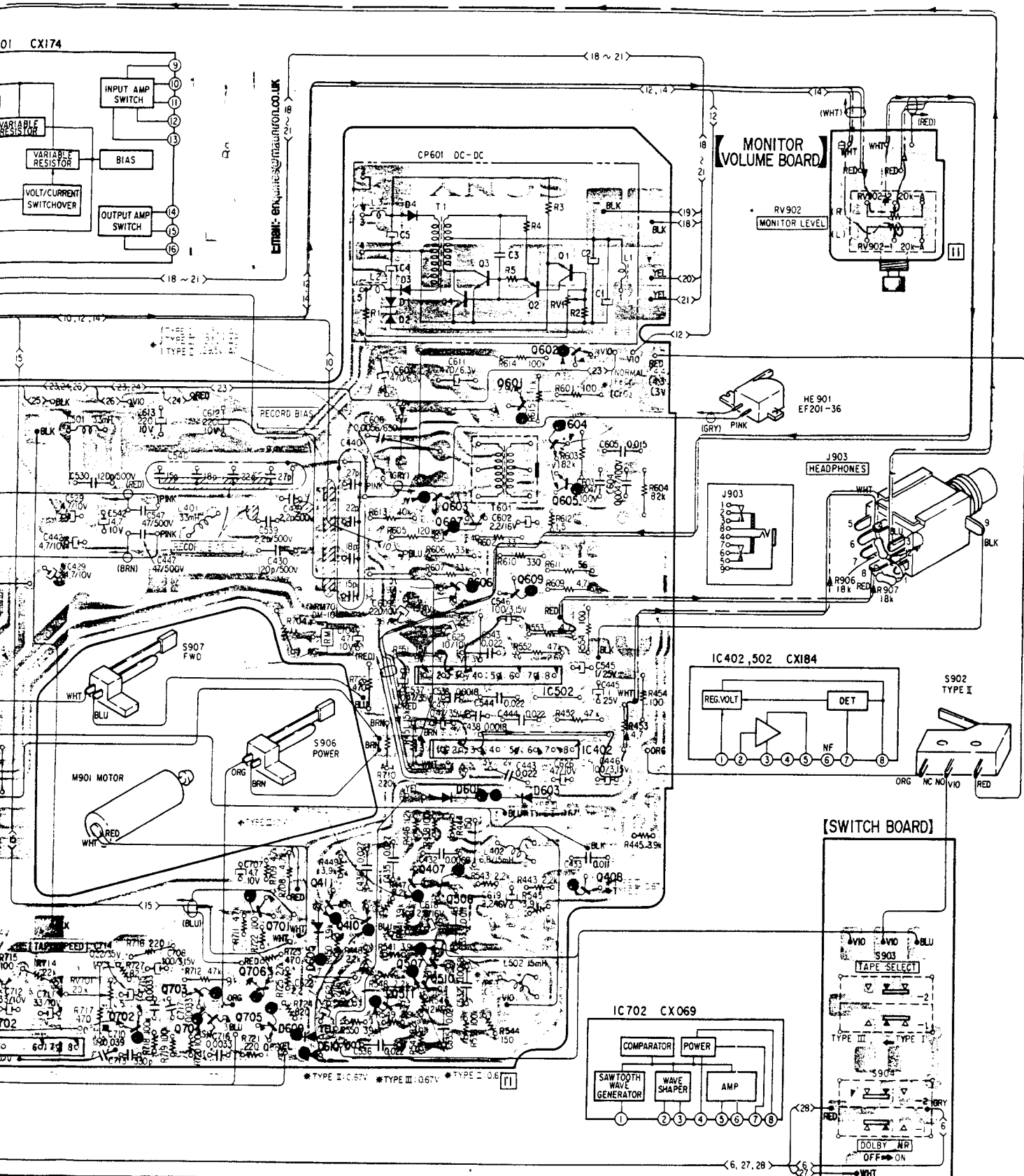
11 12 13 14 15 16 17 18



Q		IC501	610	612	613	505	IC401	405
IC	504	512	513	611	614	615	617	401
D	501	503	502	608	607	401	402	403
							412	404
								IC701
								601
								602

[STABILIZER BOARD]

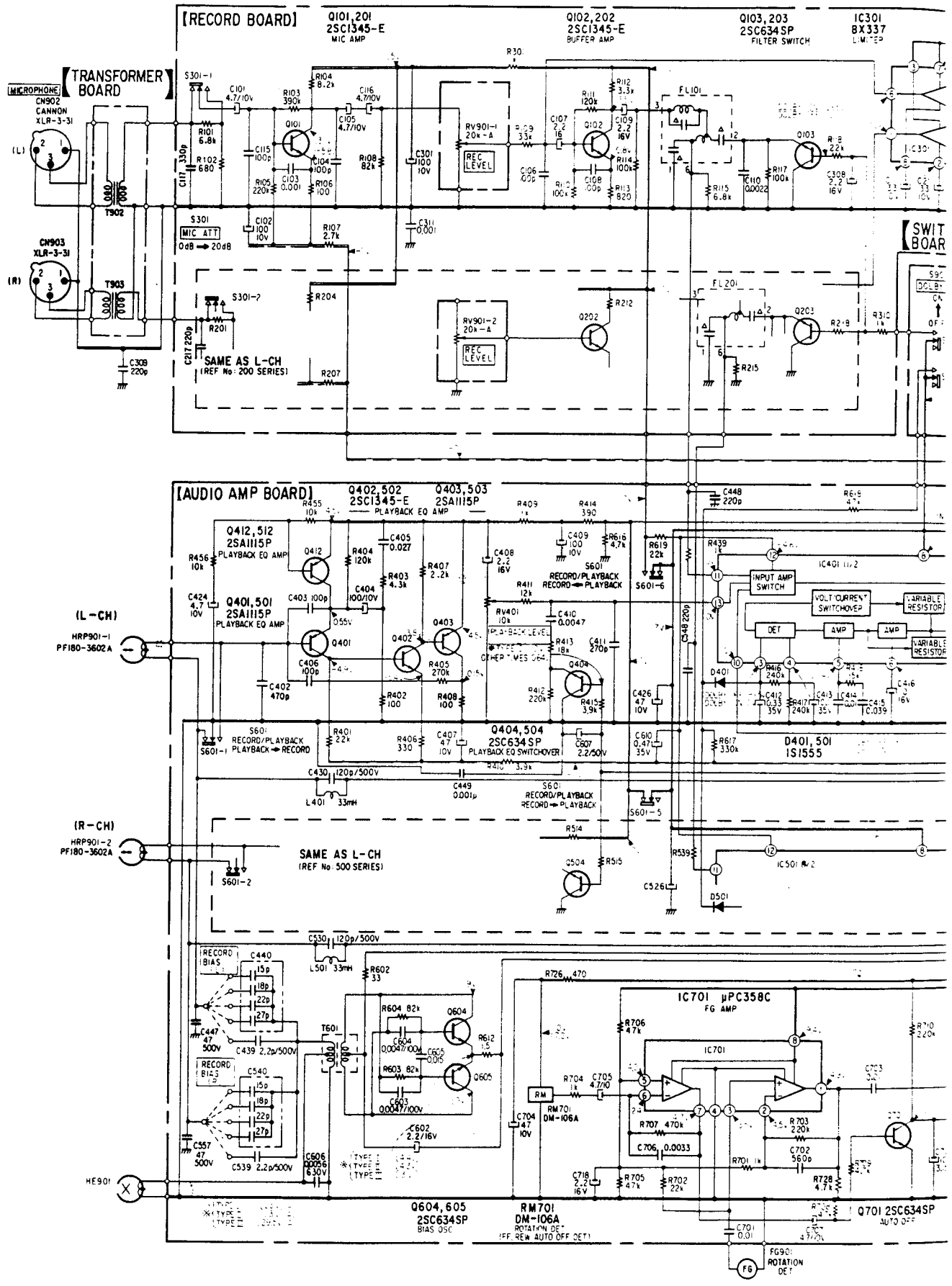


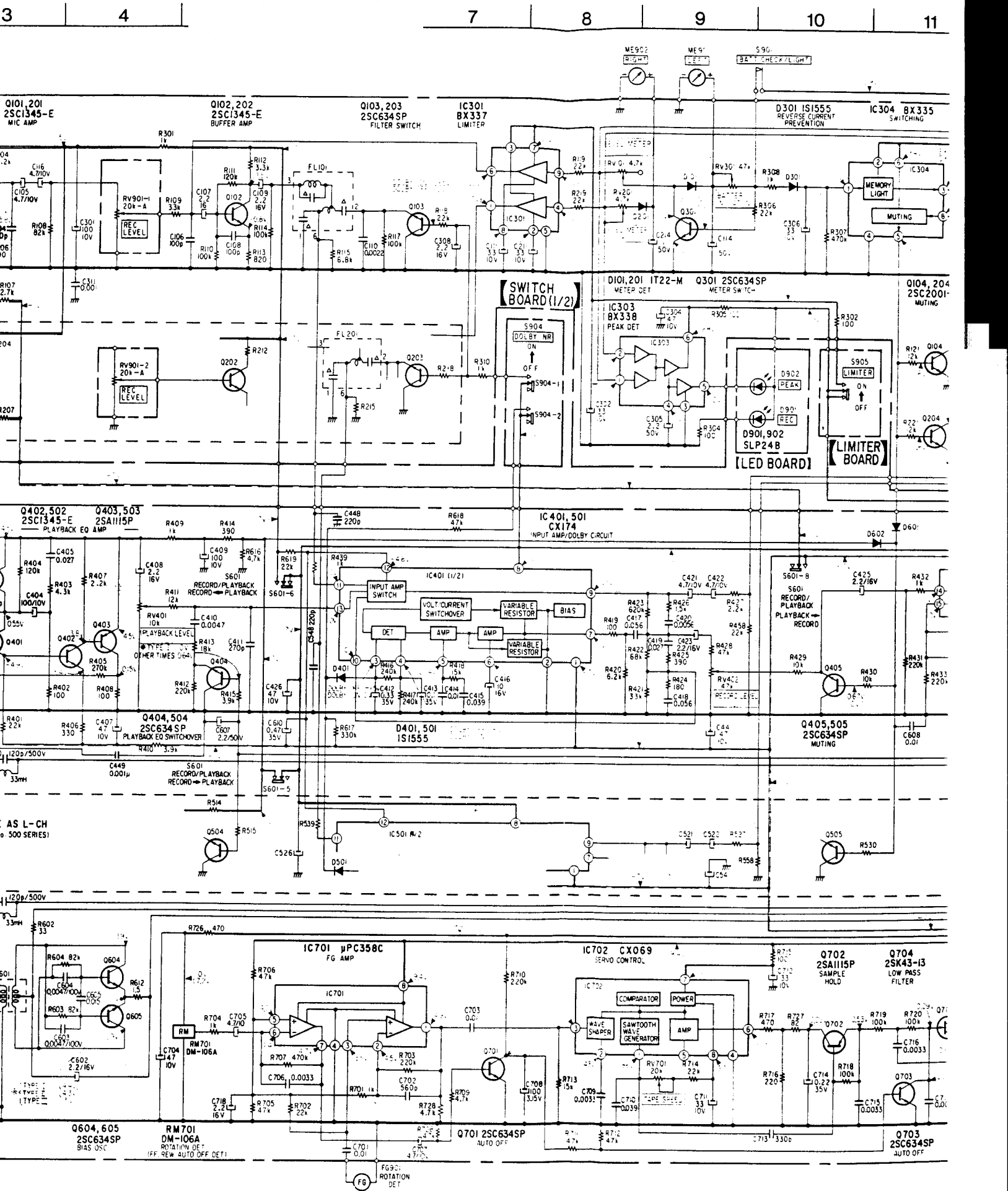


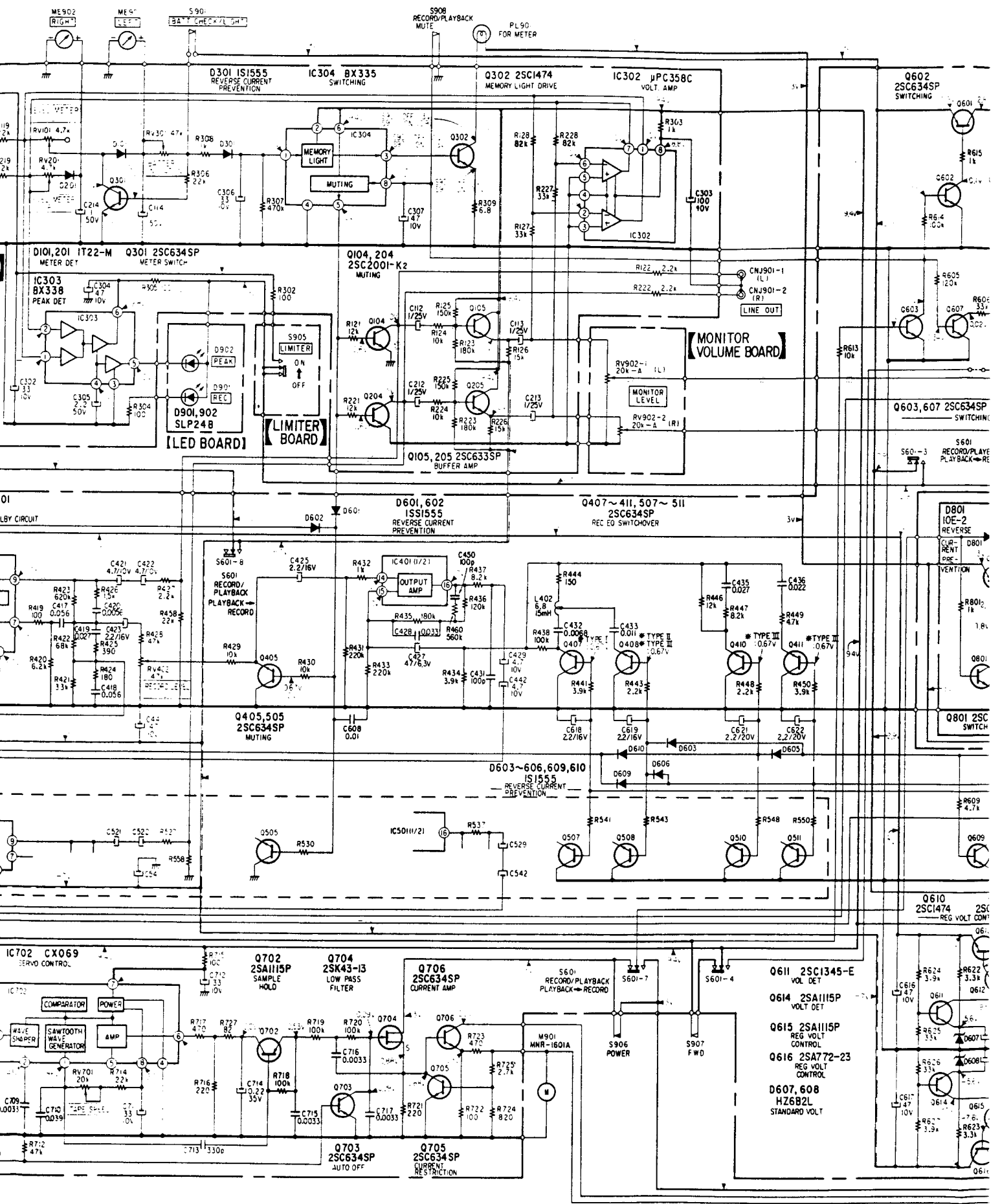
702	703	704	701	706	705	411	410	507	510	508	511	603	607	601	602	606	609	604	605	408	Q
																					IC
																					D

3-2. SCHEMATIC DIAGRAM

A
B
C
D
E
F
G
H
I
J

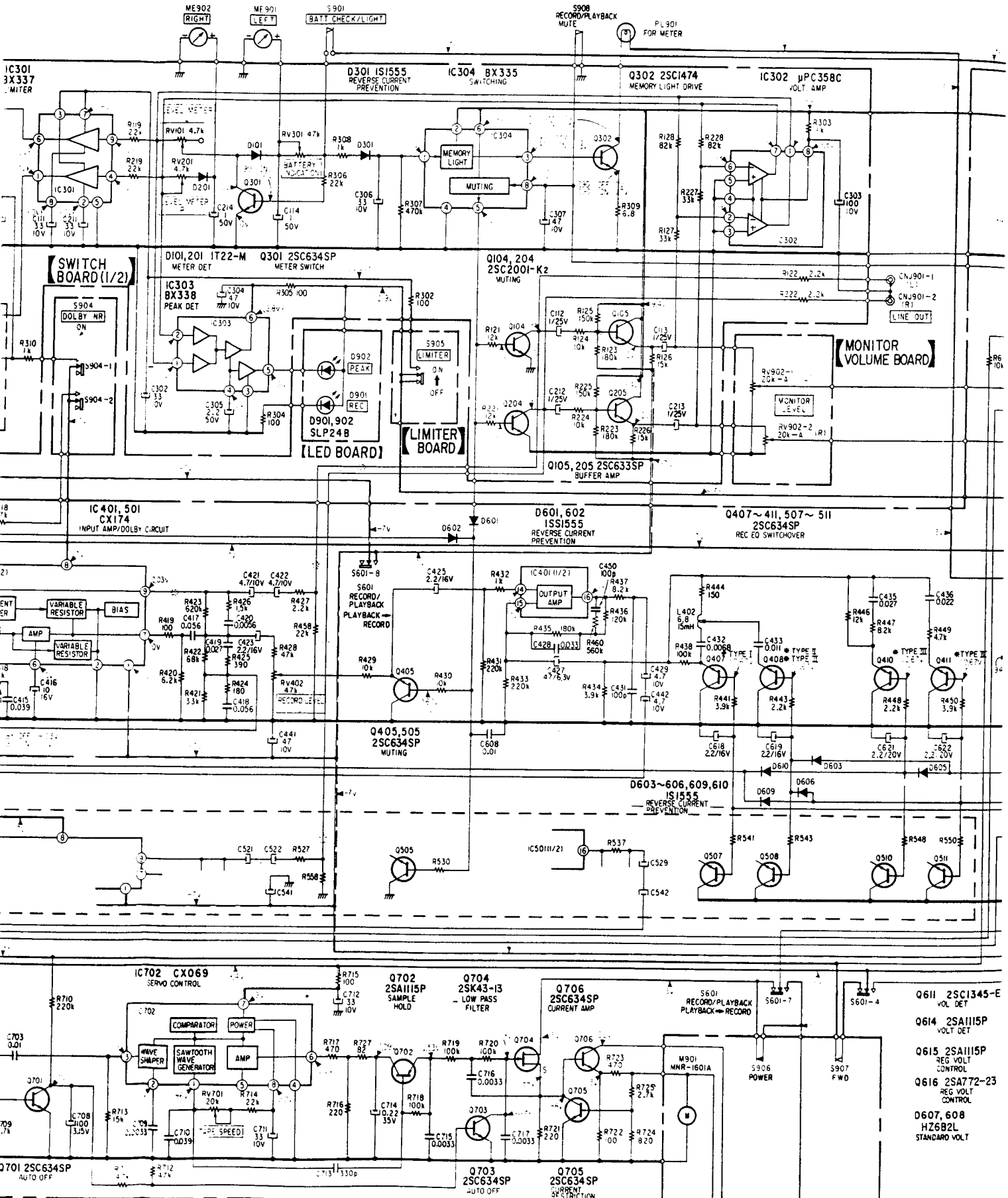


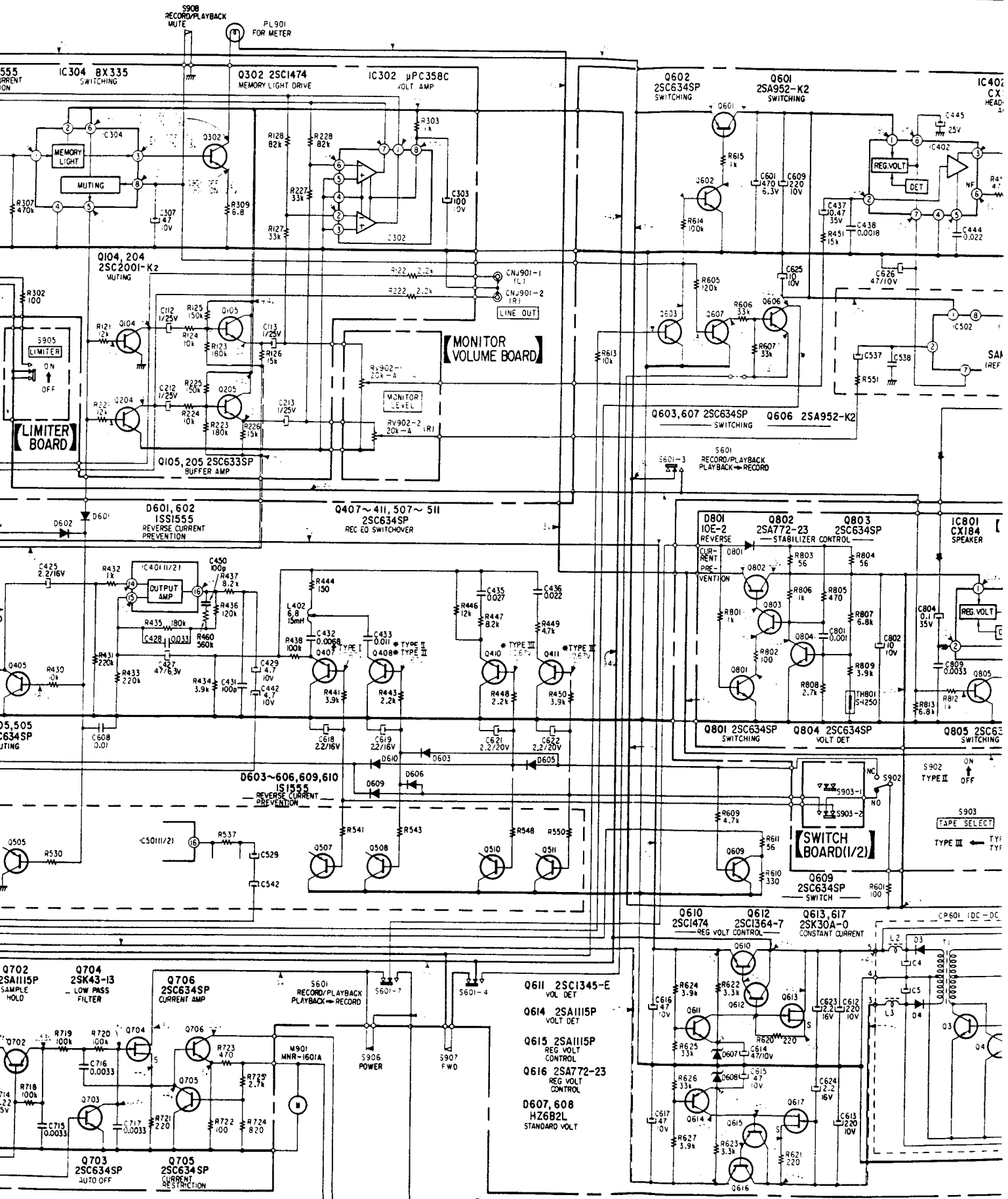


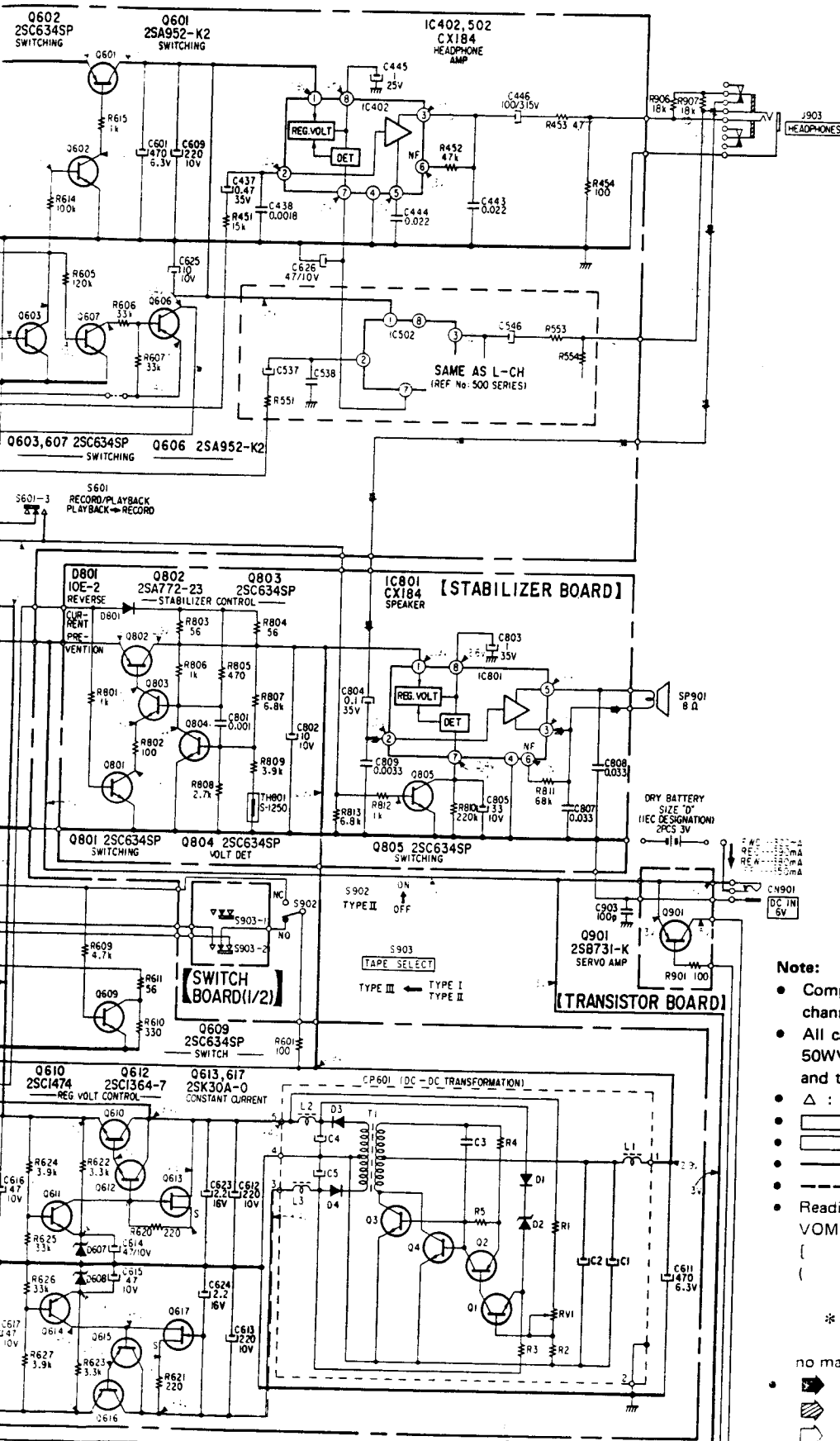


D5PRO II TC-D5PRO II

7 8 9 10 11 12 13 14







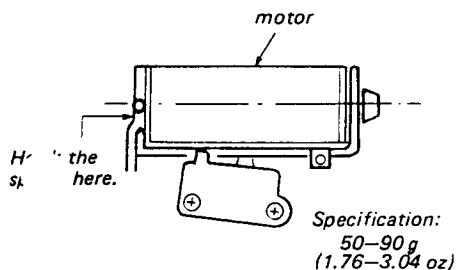
- Note:**
- Components for right channel have same values as for left channel. Reference numbers are coded from 200 or 500.
 - All capacitors are in μF unless otherwise noted. pF : μpF 50WV or less are not indicated except for electrolytics and tantalum.
 - Δ : internal component.
 - : panel designation.
 - : adjustment for repair.
 - : B+ bus.
 - : B- bus.
 - Readings are taken under no-signal conditions with a VOM (20k Ω /V).
 - { } : record
 - () : FF or REW
 - : record/S905 (LIMITER) ON
 - * : Value when S902 CrO₂/METAL, S903 (TAPE SELECT) are selected.
 - no mark: playback
 - : signal path
 - : L-CH signal path
 - : R-CH signal path

**SECTION 4
ADJUSTMENTS**

4-1. MECHANICAL ADJUSTMENT

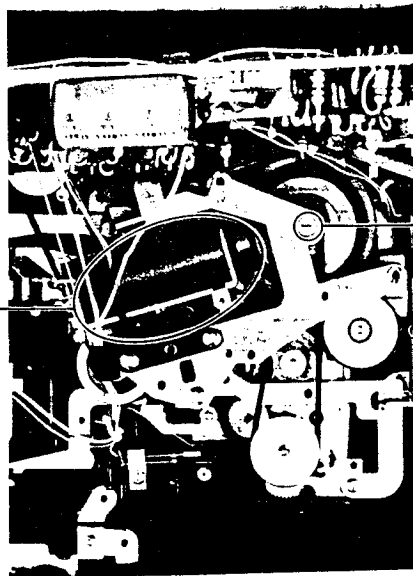
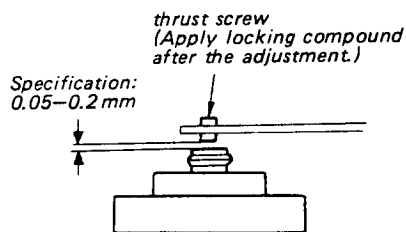
Motor Pressure Measurement

Erect the set in a perpendicular condition and push the forward (FWD) button. Pull the spring scale hooked in the position shown below. Slowly touch the flywheel with the motor pulley and read the spring scale just when the flywheel starts rotating.



Flywheel Thrust Play Adjustment

Slowly tighten the thrust screw with a screwdriver. Then loosen the thrust screw and adjust the screw position $1/5$ - $3/5$ turn from the point where the thrust screw touches the capstan shaft. There should be no play.
(The clearance should be as in the following figure.).

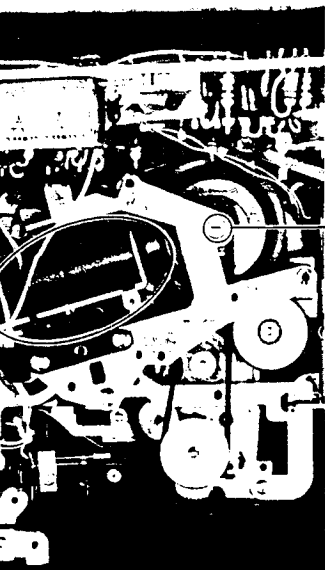
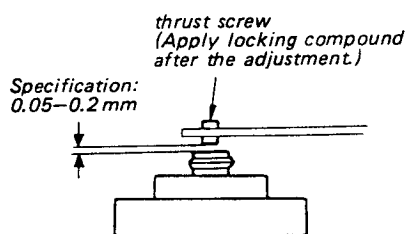


SECTION 4 ADJUSTMENTS

tion and
ring scale
ly touch
read the
rotating.

Flywheel Thrust Play Adjustment

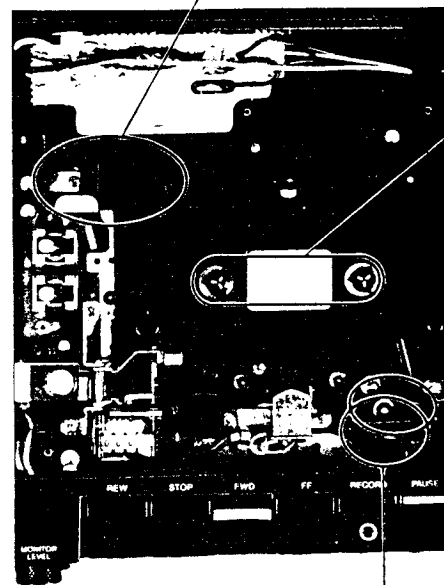
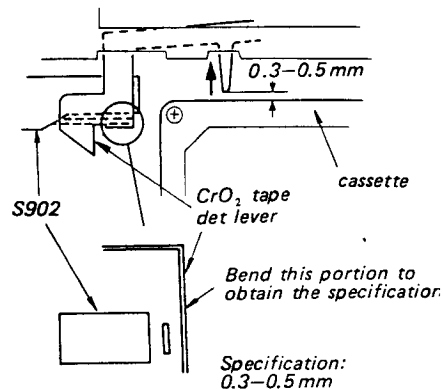
Slowly tighten the thrust screw with a screwdriver. Then loosen the thrust screw and adjust the screw position $1/5$ – $3/5$ turn from the point where the thrust screw touches the capstan shaft. There should be no play.
(The clearance should be as in the following figure.).



CrO₂ Tape Det Lever Adjustment

Install a cassette tape (besides CrO₂) and push the CrO₂ tape det lever in the direction of the arrow. Confirm that the clearance between the CrO₂ tape det lever and the cassette is 0.3 mm–0.5 mm.

Return the CrO₂ tape det lever in the original position and confirm that S902 is OFF. (Be sure that the miniature switch lever is pushed.)



Pause Timing Adjustment

Under locked condition:

Confirm that the take-up reel spindle rotating without the tape being in CUE mode the pinch roller leaves the capstan.

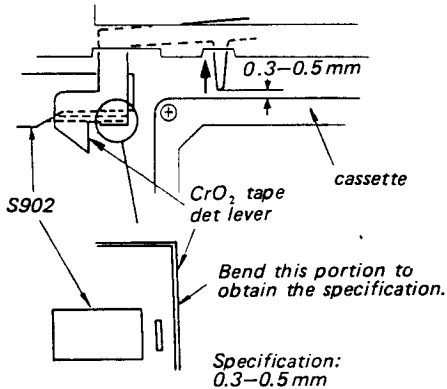
Under released condition:

Confirm that the pinch roller touches the capstan after the take-up reel spindle starts rotating.

CrO₂ Tape Det Lever Adjustment

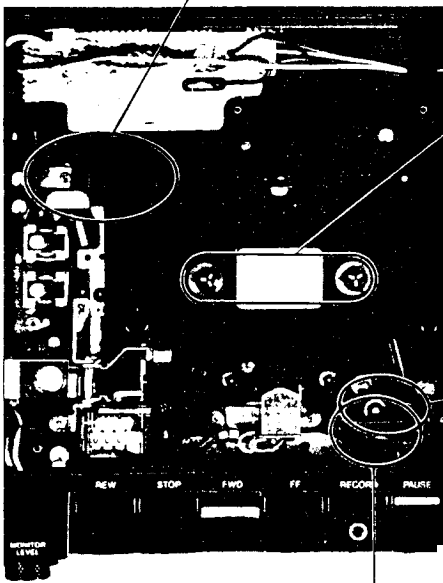
Install a cassette tape (besides CrO₂) and push the CrO₂ tape det lever in the direction of the arrow. Confirm that the clearance between the CrO₂ tape det lever and the cassette is 0.3 mm–0.5 mm.

Return the CrO₂ tape det lever in the original position and confirm that S902 is OFF. (Be sure that the miniature switch lever is pushed.)



Torques (Reference)

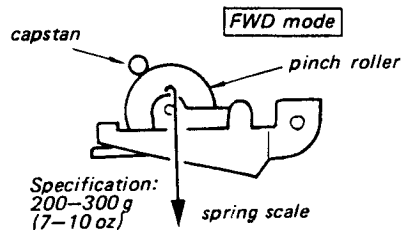
FWD	27 – 50 g·cm (0.37 – 0.68 oz·inch)
FF	more than 80 g·cm (1.11 oz·inch)
REW	more than 70 g·cm (0.97 oz·inch)
back tension	less than 5 g·cm (0.069 oz·inch)



Pinch Roller Pressure Measurement

– Playback Mode –

1. Pull the spring scale.
2. Slowly return the pinch roller and read the spring scale just when the pinch roller starts rotating.



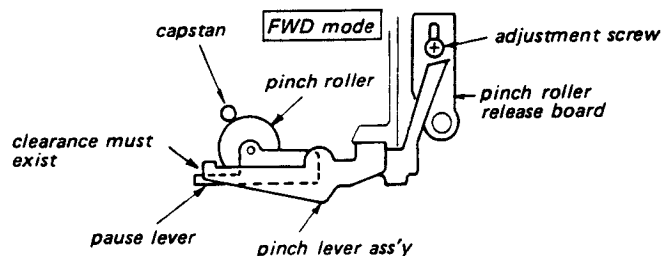
Pause Timing Adjustment

Under locked condition:

Confirm that the take-up reel spindle stops rotating without the tape being in CUE mode after the pinch roller leaves the capstan.

Under released condition:

Confirm that the pinch roller touches the capstan after the take-up reel spindle starts rotating.



4.2. ELECTRICAL ADJUSTMENT

Note: The adjustment should be performed in the order given in this service manual. The adjustments should be performed for both L-CH and R-CH.

- Set the TAPE SELECT switch according to the tape as follows.

Tape	TAPE SELECT
CS-121	TYPE I
CS-221	TYPE II
CS-30	TYPE III

- Switches and controls should be set as follows unless otherwise specified.

DOLBY NR switch: OFF
 TAPE SELECT switch: TYPE I
 LIMITER switch: OFF
 MIC ATT switch: 0 dB

- Standard Record

Deliver the standard input signal level to the input jack and set the REC LEVEL control to obtain the standard output signal level.

Standard Input Level

	MIC
source impedance	300 Ω
input level	0.77 mV (-60 dB)

Standard Output Level

	LINE OUT (FIXED)	HEAD-PHONES
load impedance	47 k Ω	8 Ω
output level	0.44 V (-5 dB)	0.39 V (-6 dB)

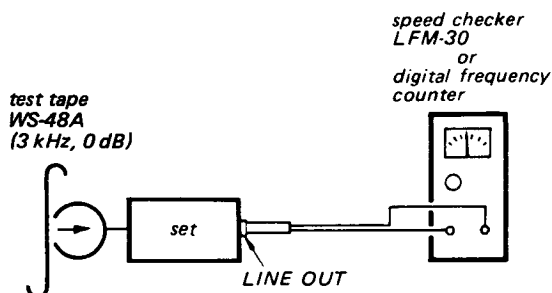
Tape Speed Adjustment

Setting:

MONITOR LEVEL : mechanical mid

Procedure:

Mode: playback



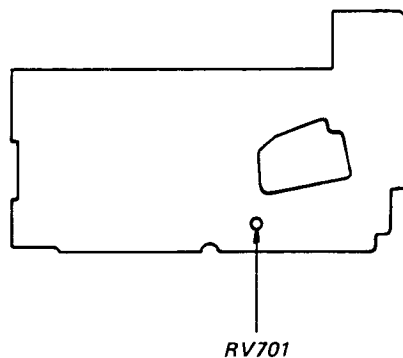
Adjust RV701 so that the tape speed is within the specification around the middle of the tape.

Specification:

Speed checker	Digital frequency counter
-0.5 - +0.5 %	2,985 - 3,015 Hz

Adjustment Location:

- audio amp board -
 (conductor side)



Record/playback Head Azimuth Adjustment

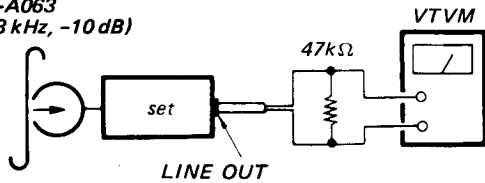
Setting:

MONITOR LEVEL : mechanical mid

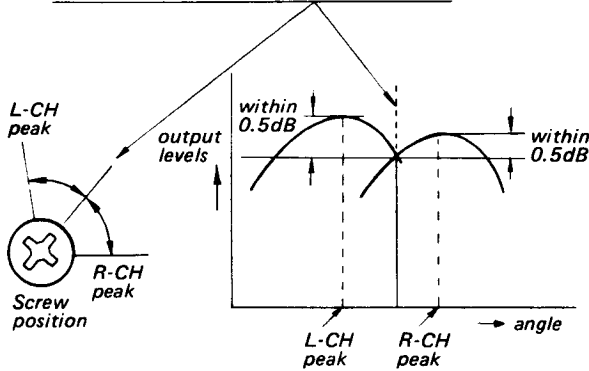
Procedure:

1. Mode: Playback

test tape
P-4-A063
(6.3 kHz, -10 dB)

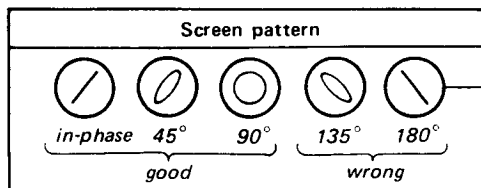
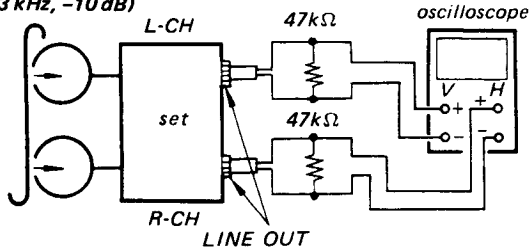


2. Turn the adjustment screw for the maximum output levels. If these levels do not match, turn the adjustment screw where both of output levels match together within 0.5 dB.



3. Phase Check
Mode: playback

test tape
P-4-A063
(6.3 kHz, -10 dB)

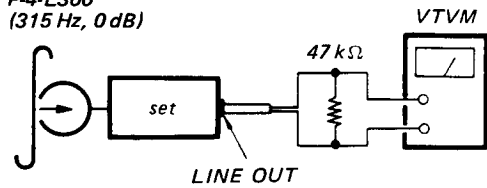


Playback Level Adjustment

Procedure:

1. Mode: Playback

test tape
P-4-L300
(315 Hz, 0 dB)



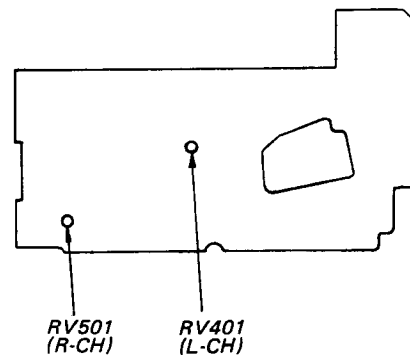
2. Adjust RV401 (L-CH) and RV501 (R-CH) so that the LINE OUT level is within the specification.

Specification:

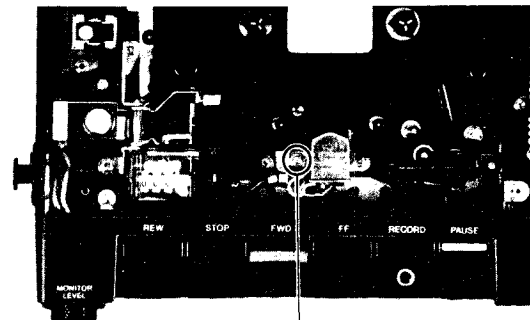
0.47 V (-4.4 dB)

Adjustment Location:

- audio amp board -
(conductor side)



Adjustment Location:



adjustment screw

Battery Indicator Calibration Adjustment

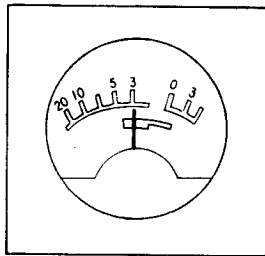
Procedure:

Power: 2.2V dc

Mode: playback

(No cassette tape installed.)

Adjust RV301 so that the pointer of the level meter is positioned as shown below when BATT CHECK/LIGHT button is pushed.



level meter

Adjustment Location:

— record board —



RV301

Record Bias Adjustment

Setting:

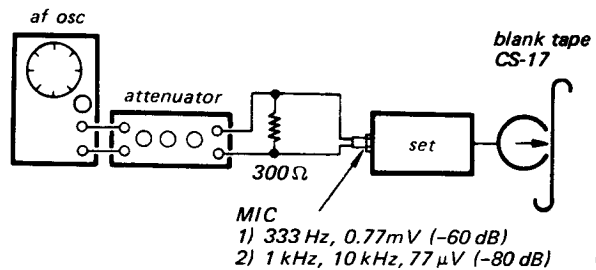
TAPE SELECT switch: TYPE I

LIMITER switch: OFF

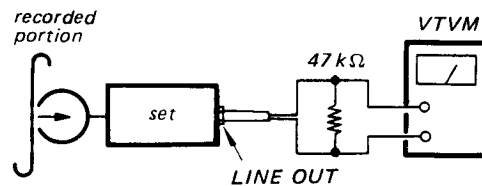
Record 333Hz signal and adjust the REC LEVEL control to obtain -5 dB LINE OUT level.

Procedure:

1. Mode: record



2. Mode: playback



3. Playback 1 kHz, 10 kHz and adjust by changing the pattern to obtain the specified LINE OUT level. (When the specified value cannot be obtained by bridging only one pattern, then bridge another pattern.)

When the 10 kHz output is high

→ increase the capacitance

When the 10 kHz output is low

→ decrease the capacitance

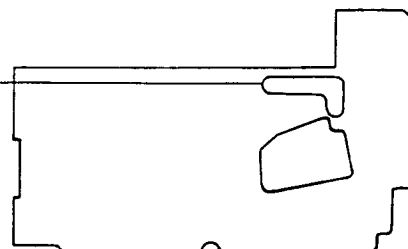
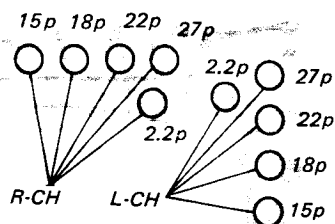
Specification:

Within 10 kHz level difference ± 0.5 dB relative to 1 kHz.

Adjustment Location:

— audio amp board —

(Conductor Side)



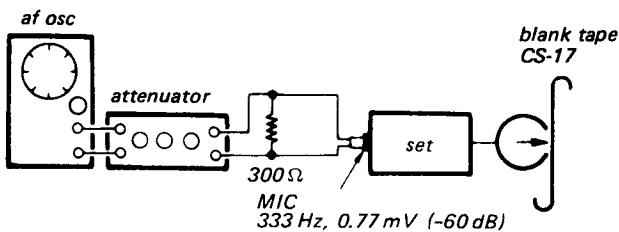
Record Level Adjustment

Setting:

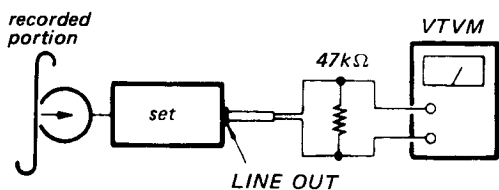
- MIC ATT switch: 0 dB
- LIMITER switch: OFF
- TAPE SELECT switch: TYPE I
- REC LEVEL control: standard record
(See page 11.)

Procedure:

1. Mode: record



2. Record -60 dB (0.77 mV), 333 Hz signal in a blank tape (CS-17).
3. Playback the recorded tape in step 2.
4. Mode: playback

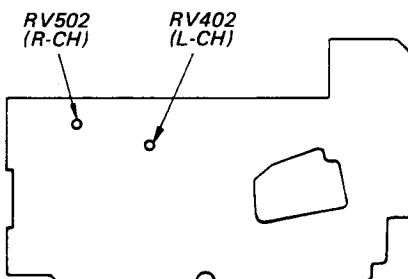


5. Repeat steps 2 and 3 and adjust RV402 (L-CH), RV502 (R-CH) so that the LINE OUT level is -5 dB.
6. Repeat steps 1 to 4 also for CS-26 and obtain the specified value.
7. Install CS-30 and set the TAPE SELECT switch to TYPE III. Then adjust as in step 6.

Tape	Specification	TAPE SELECT
CS-17	-5 dB ± 0.5 dB	TYPE I
CS-26	-5 dB ± 2 dB	TYPE II
CS-30	-5 dB ± 2 dB	TYPE III

Adjustment Location:

- audio amp board -



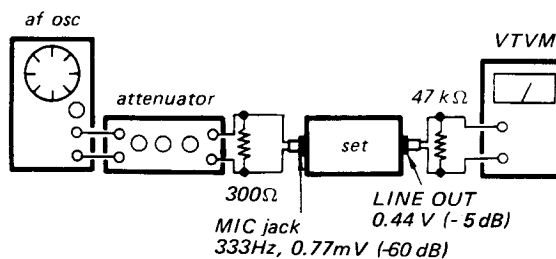
Meter Level Adjustment

Setting:

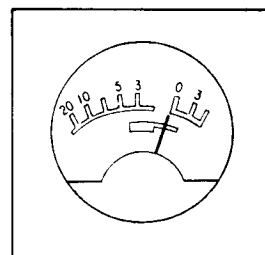
- MIC ATT switch: 0 dB
- LIMITER switch: OFF
- REC LEVEL control: standard record
(See page 11.)

Procedure:

1. Mode: record



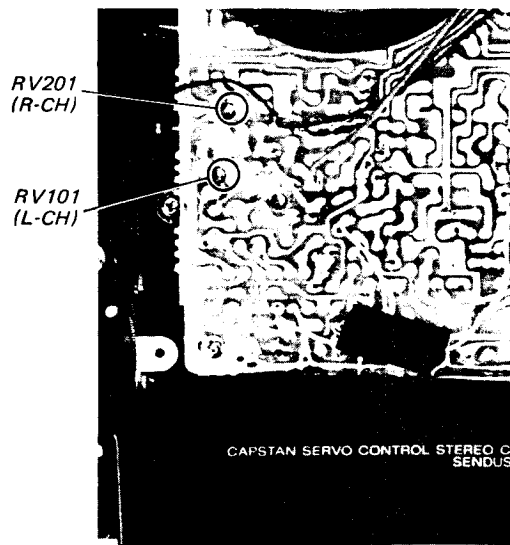
2. Adjust RV101 (L-CH) and RV201 (R-CH) so that the pointer of the level meter points 0dB as shown below.



level meter

Adjustment Location:

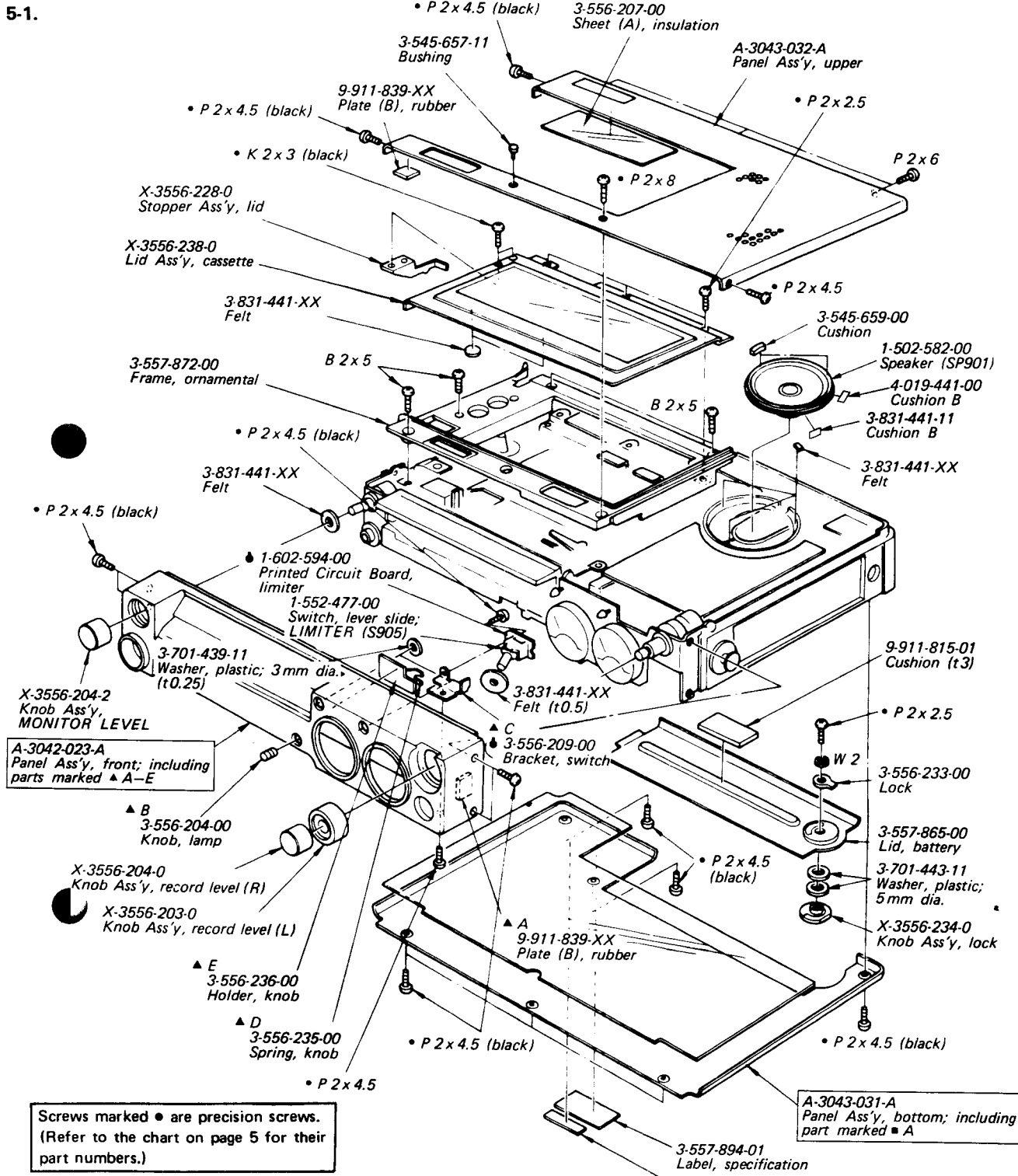
- record board -



SECTION 5
EXPLODED VIEWS

Refer to page 5 for notes on screws.

1 2 3 4 5 6 7 8



Screws marked ● are precision screws. (Refer to the chart on page 5 for their part numbers.)

- Note:**
- Items marked "▲" are not stocked since they are seldom required for routine service. Some delay should be anticipated when ordering these items.
 - All screws are Phillips (cross recess) type unless otherwise noted. (-) = slotted head
 - (□□T) shows the number of coils in spring.

Note: The components identified by shading and mark ▲ are critical for safety. Replace only with part number specified.

1 2 3 4 5 6 7 8 9 10

5-2.

A

B

C

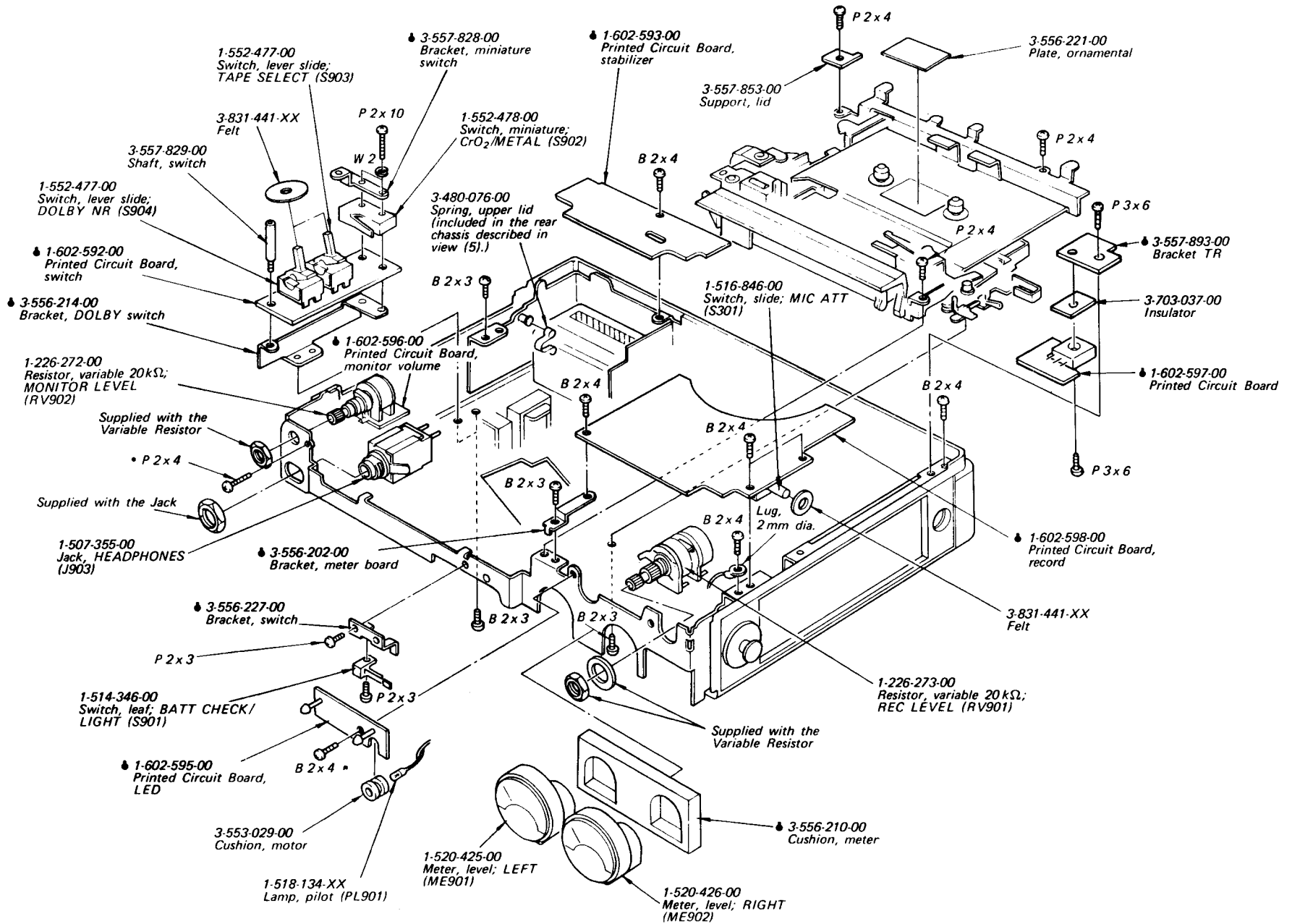
D

E

F

G

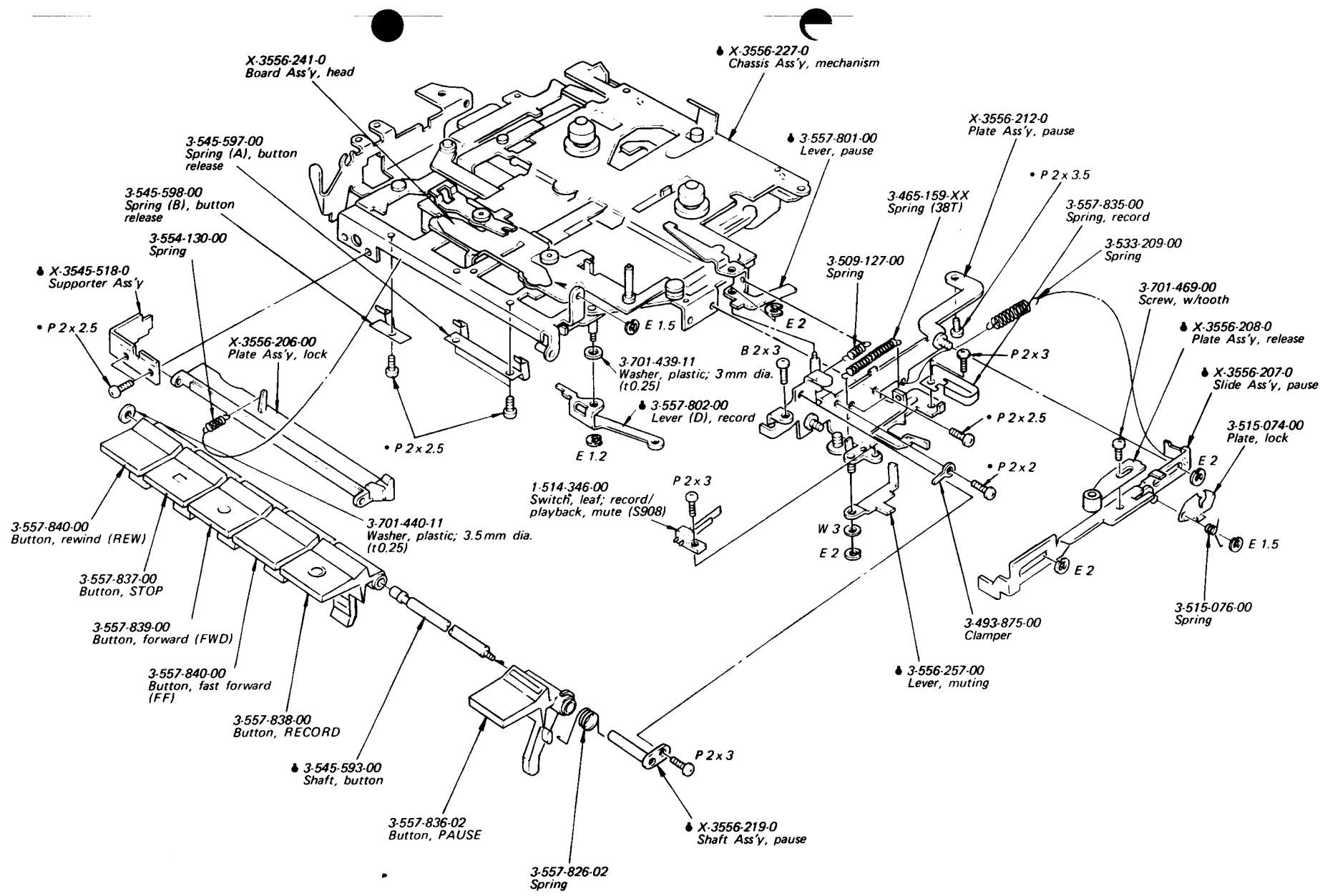
-23-



TC-D5PRC

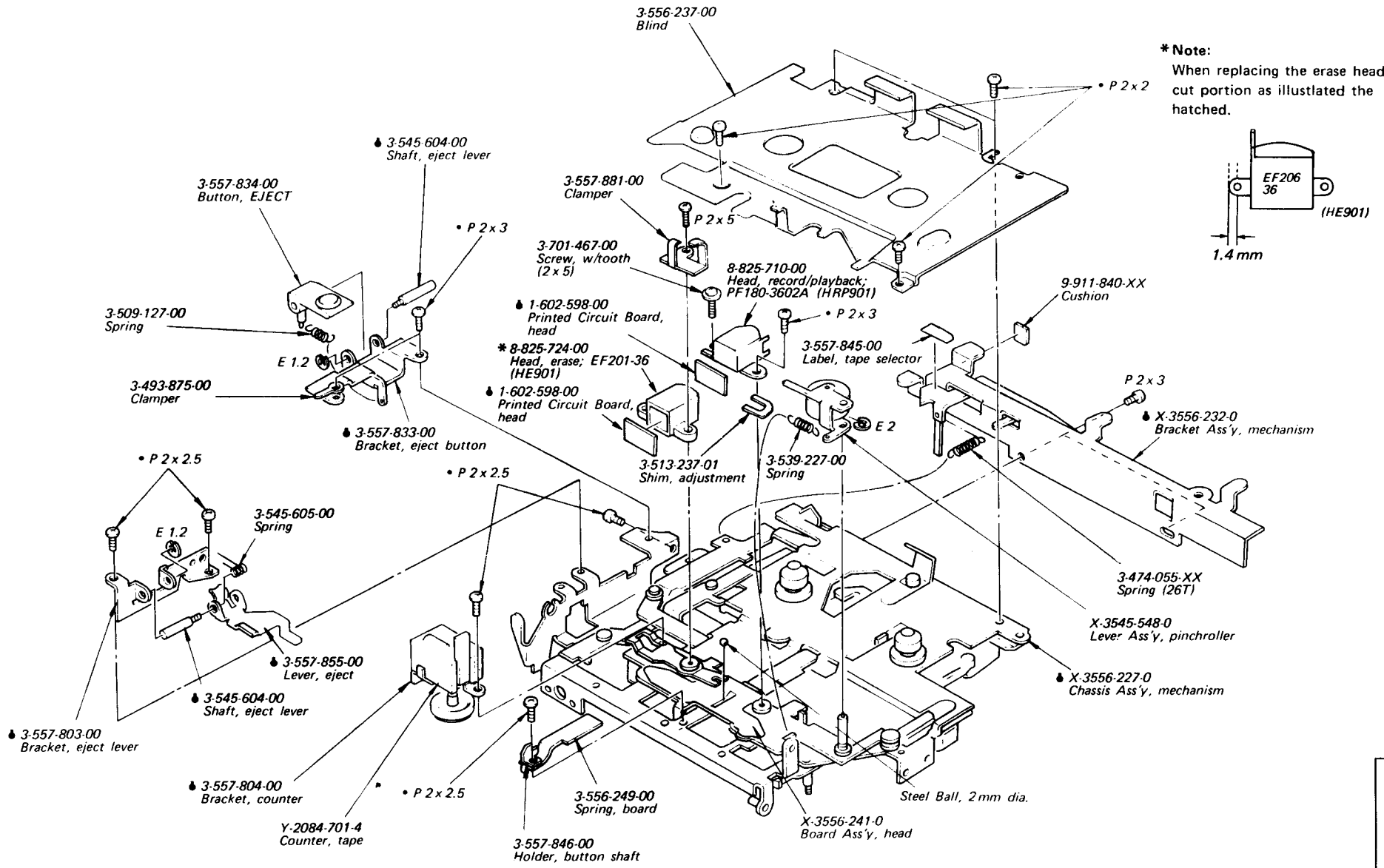
5-3.

A
B
C
D
E
F
G
H

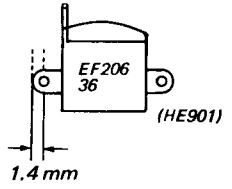


5-4.

A
B
C
D
E
F
G



***Note:**
When replacing the erase head cut portion as illustrated the hatched.

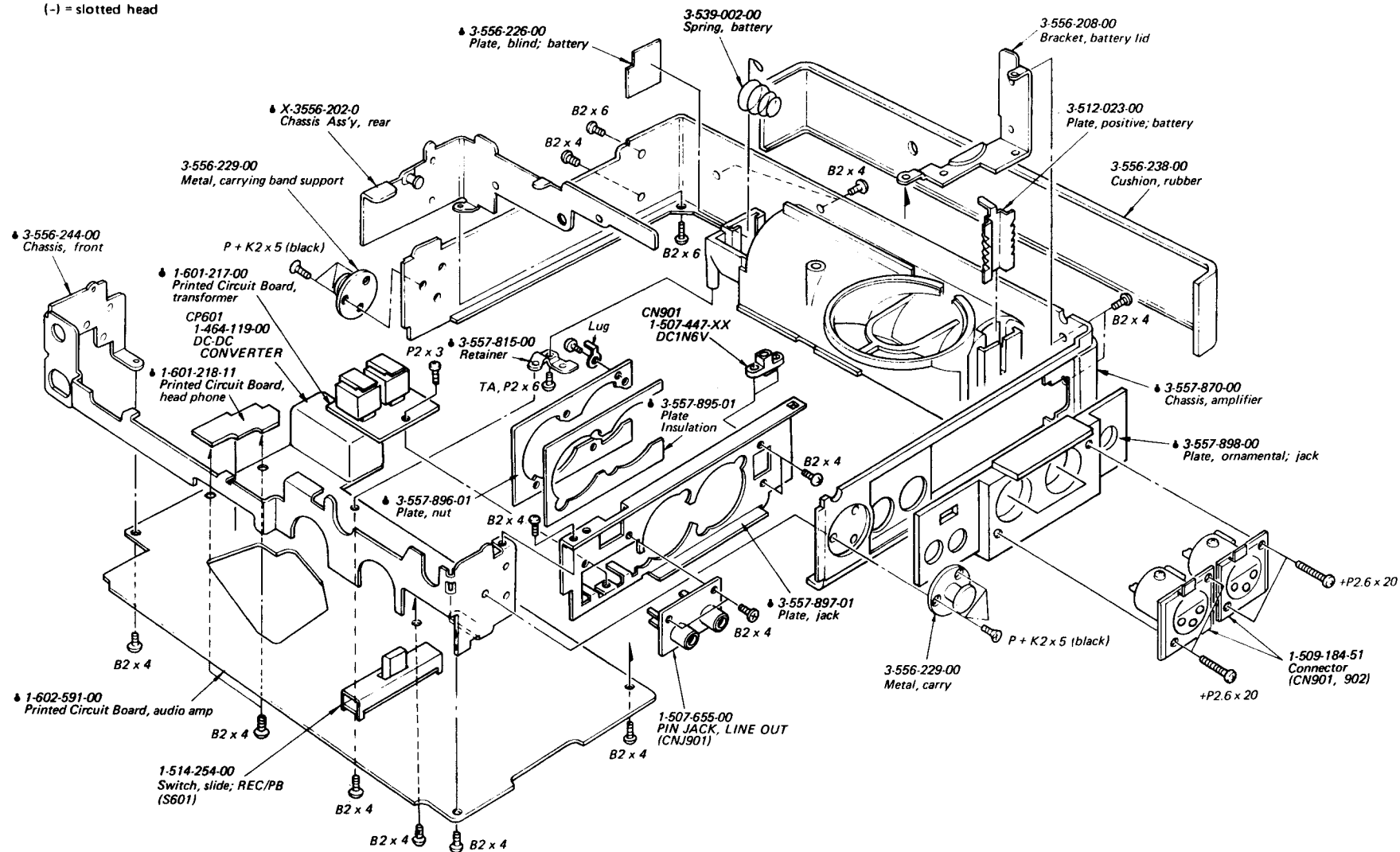


5-5.

A
B
C
D
E
F
G
H

Note:

- Items with no part number and/or no description are not stocked because they are seldom required for routine service.
- All screws are Phillips (cross recess) type unless otherwise noted.
(-) = slotted head



5-6.

A

B

C

D

E

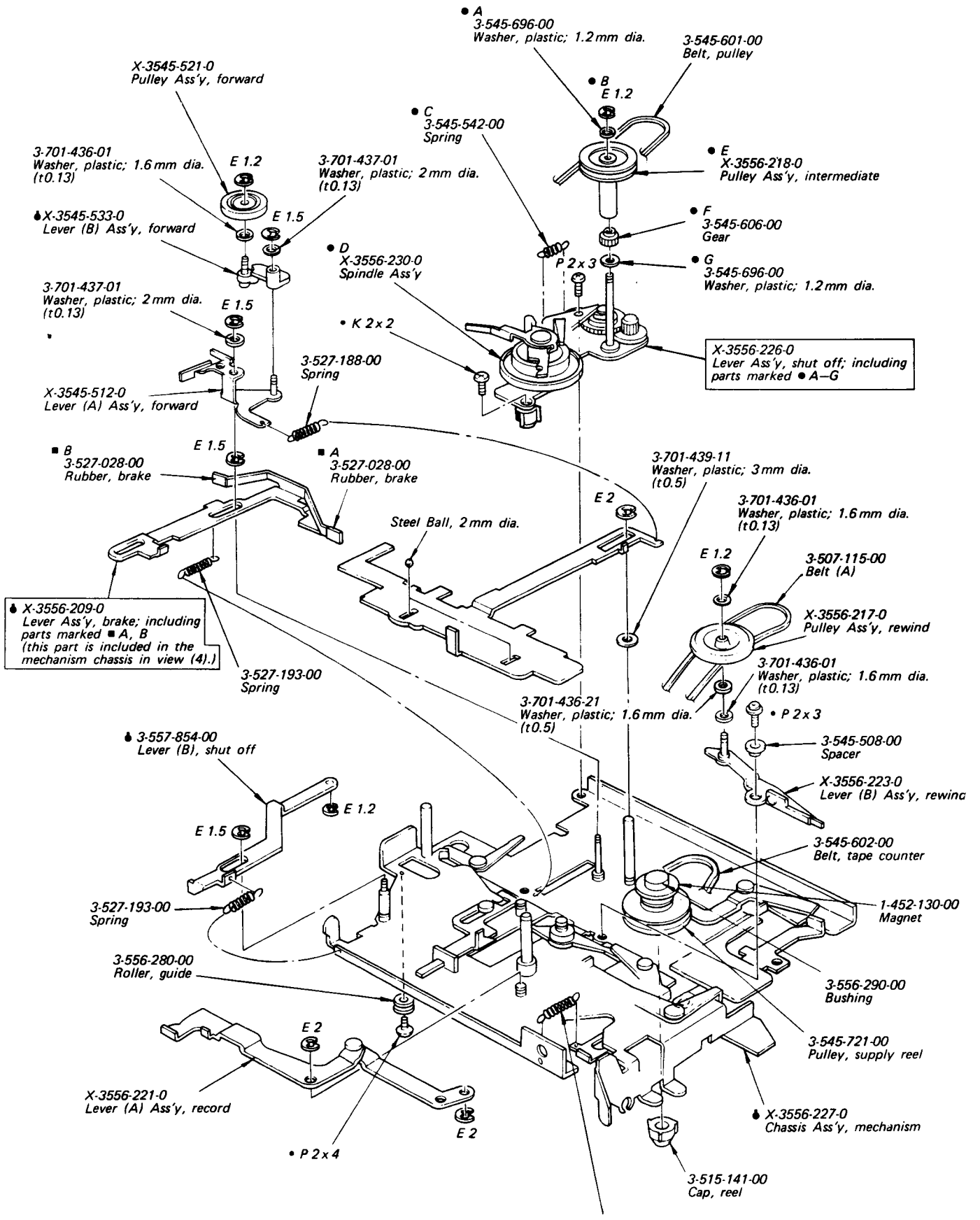
F

G

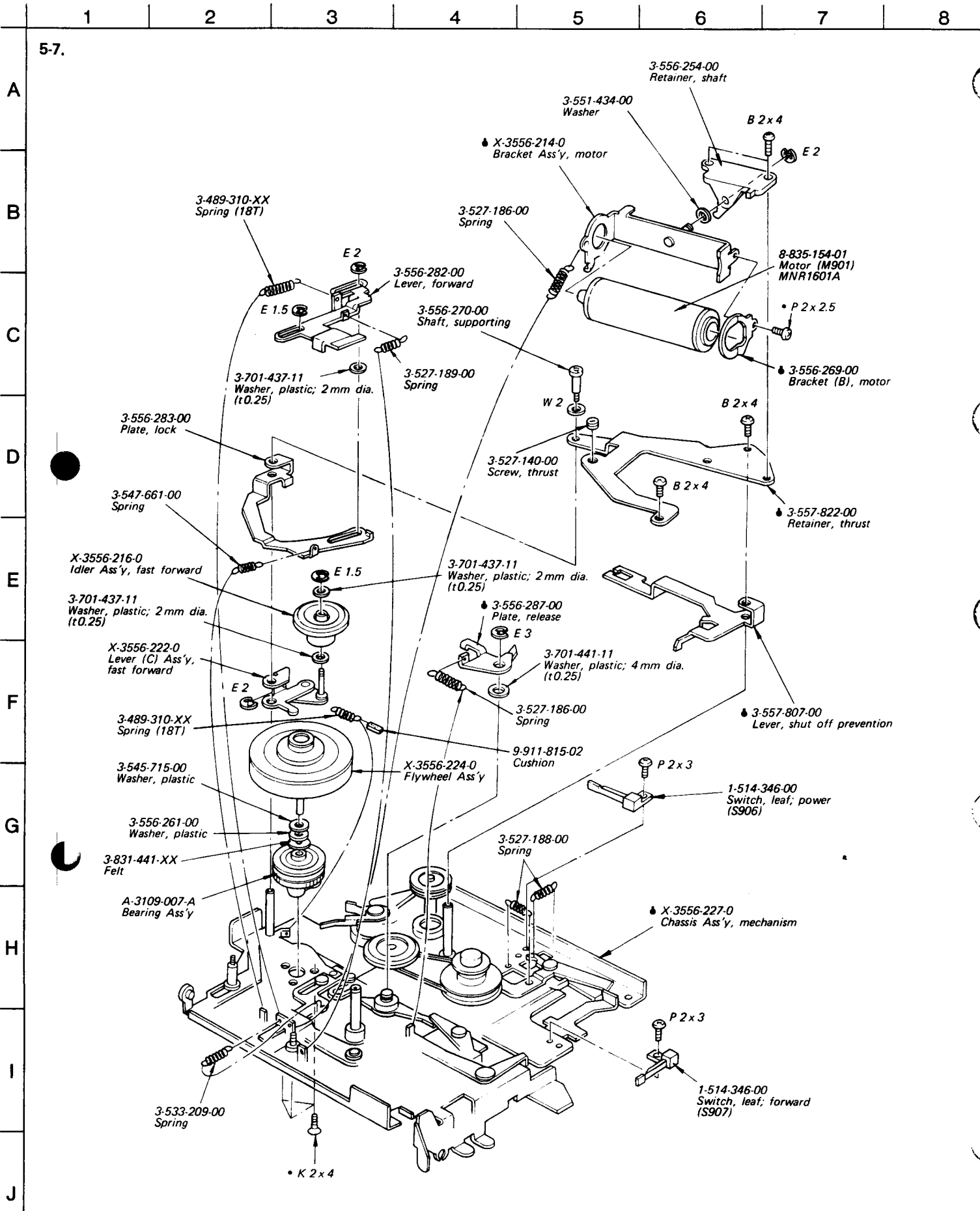
H

I

1 2 3 4 5 6 7



5-7.



**SECTION 6
ELECTRICAL PARTS LIST**

<u>Ref. No.</u>	<u>Part No.</u>	<u>Description</u>	<u>Ref. No.</u>	<u>Part No.</u>	<u>Description</u>		
COMPLETE CIRCUIT BOARDS			Q704	8-723-303-13	2SK43-13		
	♣ A-3070-178-A	Audio Amp	Q705,706	8-729-600-27	2SC634SP		
	♣ A-3073-024-A	Record	Q801	8-729-600-27	2SC634SP		
PRINTED CIRCUIT BOARDS			Q802	8-760-523-10	2SA772-23		
	♣ 1-602-592-00	Switch	Q803-805	8-729-600-27	2SC634SP		
	♣ 1-602-593-00	Stabilizer	Q901	8-729-173-13	2SB731		
	♣ 1-602-594-00	Limiter	ICs				
	♣ 1-602-595-00	LED	IC301	8-743-370-00	BX337		
	♣ 1-602-596-00	Monitor Volume	IC302	8-759-135-80	μPC358C		
	♣ 1-602-597-00	Transistor	IC303	8-743-380-00	BX338		
	♣ 1-602-598-00	Head	IC304	8-743-350-00	BX335		
	♣ 1-601-217-00	Trans	IC401,501	8-759-101-74	CX174		
SEMICONDUCTORS			IC402,502	8-751-840-00	CX184		
Transistors			IC701	8-759-135-80	μPC358C		
Q101,201)	8-729-334-58	2SC1345-E	IC702	8-750-690-00	CX069A		
Q102,202)			IC801	8-751-840-00	CX184		
Q103,203			8-729-600-27	2SC634SP	Diodes		
Q104,204			8-729-100-13	2SC2001-K2	D101,201	8-719-422-21	1T22AM
Q105,205			8-729-600-27	2SC634SP	D301,401)	8-719-815-55	1S1555
Q301	8-729-600-27	2SC634SP	D501				
Q302	8-760-335-10	2SC1474	D601-606)				
Q401,501	8-729-600-60	2SA1115P	D607,608	8-719-910-65	HZ6B2L		
Q402,502	8-729-334-58	2SC1345E	D609,610	8-719-815-55	1S1555		
Q403,503	8-729-600-60	2SA1115P	D801	8-719-200-02	10E2		
Q404,405)	8-729-600-27	2SC634SP	D901,902	8-719-900-24	SLP24B *		
Q407-411)			Q504,505)	8-729-600-27	Magnetic Element		
Q412	8-729-600-60	2SA1115P	RM701		8-749-016-01	DM-106A	
Q507-511)	8-729-600-60	2SA1115P	CAPACITORS				
Q512			Q601,606	8-729-195-23	All capacitors are in μF. Common capacitors are omitted.		
Q602-605)	8-729-600-27	2SC634SP	Refer to the list on pages 31 and 32 for their part numbers.				
Q607			Q609	8-729-600-27	C440,540	1-107-253-00	15+18+22+27p 500V mica
Q610	8-760-335-10	2SC1474	C606	1-130-062-00	0.0056 630V film		
Q611	8-729-334-58	2SC1345E	C710	1-130-140-00	0.039 100V film		
Q612	8-729-60027	2SC634SP					
Q613,617	8-729-203-02	2SK30A-0					
Q614,615	8-729-600-60	2SA1115P					
Q616	8-760-523-10	2SA772-23					
Q701,703	8-729-600-27	2SC634SP					
Q702	8-729-600-60	2SA1115P					

Items marked "♣" are not stocked because they are seldom required for routine service. Some delay should be anticipated when ordering these items.

Ref. No. Part No. Description

RESISTORS

All resistors are in ohms. Common 1/4W carbon resistors are omitted.
Refer to the list on page 5 for their part numbers.

R403,503	1-214-147-00	4.3 k	1/4W	metal-oxide
R624	1-214-146-00	3.9 k	1/4W	metal-oxide
R625,626	1-214-168-00	33 k	1/4W	metal-oxide
R627	1-214-146-00	3.9 k	1/4W	metal-oxide
R714	1-214-164-00	22 k	1/4W	metal-oxide
R906,907	1-246-798-00	18 k	1/8W	carbon
RV101,201	1-224-251-XX	4.7 k, adjustable; level meter L, R		
RV301	1-224-254-XX	47 k, adjustable; battery indication		
RV401,501	1-224-252-XX	10 k, adjustable; playback level (L, R)		
RV402,502	1-224-254-XX	47 k, adjustable; record level (L, R)		
RV701	1-226-490-00	20 k, adjustable; tape speed		
RV901	1-226-273-00	20 k-A, variable; REC LEVEL		
RV902	1-226-272-00	20 k-A, variable; MONITOR LEVEL		

SWITCHES

S301	1-516-846-00	Slide, MIC ATT	
S601	1-514-254-00	Slide, record/playback	
S901	1-514-346-00	Leaf, BATT CHECK, LIGHT	
S902	1-552-478-00	Miniature, TYPE I	
S903,904	1-552-477-00	Lever Slide, TAPE SELECT, DOLBY NR	
S905	1-552-477-00	Lever Slide, LIMITER	
S906	1-514-346-00	Leaf, POWER	
S907	1-514-346-00	Leaf, forward (PLAY)	
S908	1-514-346-00	Leaf, record/playback, mute	

MISCELLANEOUS

CN901	1-507-447-XX	Jack, power; DC IN 6V
CNJ901	1-507-655-00	Jack, 2P; LINE OUT
CP601	1-464-119-00	Convertor, dc-dc

Ref. No. Part No. Description

FL101,201	1-231-388-00	Filter, low pass
HE901	8-825-724-00	Head, erase; EF201-36
HRP901	8-825-710-00	Head, record/playback, PF180-3602A
CN901,902	1-509-184-51	CONNECTOR; MICROPHONE L, R
J903	1-507-477-XX	Jack, HEADPHONES
L401,501	1-407-879-00	33 mH, microinductor
L402,502	1-408-352-00	6.8 μH, microinductor
M901	8-835-154-01	Motor (MNR1601A)
ME901	1-520-425-00	Meter, level; LEFT
ME902	1-520-426-00	Meter, level; RIGHT
PL901	1-518-134-XX	Lamp, pilot
SP901	1-502-582-00	Speaker
T901,T902	1-423-242-00	Input, Transformer
T601	1-433-223-00	Transformer, bias osc
TH801	1-800-199-XX	Thermistor
	1-452-130-00	Magnet

ACCESSORIES AND PACKING MATERIALS

<u>Part No.</u>	<u>Description</u>
X-3556-239-0	Strap Ass'y, carrying
1-551-734-11	Cord, connection (RK-74A)
3-557-874-00	Band, fixed
3-557-848-00	Box, accessory
3-557-850-00	Cushion
3-557-878-00	Protector (accessory box)
3-701-625-00	Bag, polyethylene (for instruction manual)
3-701-631-00	Bag, polyethylene
3-557-899-00	Carton, individual
3-765-529-11	Manual, instruction

ELECTROLYTIC CAPACITORS

Note: Circled letter (A) to (Z) are applicable to European models only.

CAP. (μF)	RATING → : Use the high voltage rated one.					
	6.3 VOLT.	10 VOLT.	16 VOLT.	25 VOLT.	35 VOLT.	50 VOLT.
	PART No.	PART No.	PART No.	PART No.	PART No.	PART No.
0.47						1-121-726-00 (A)
1.0						1-121-391-00 (A)
2.2						1-121-450-00 (A)
3.3	→	→	→	1-121-392-00 (A)	→	1-121-393-00 (A)
4.7	→	→	→	1-121-395-00 (A)	→	1-121-396-00 (A)
10	→	→	1-121-651-00 (A)	1-121-398-00 (A)	→	1-121-738-00 (A)
22	→	→	1-121-479-00 (A)	1-121-480-00 (A)	1-121-662-00 (A)	1-121-152-00 (A)
33	→	→	1-121-403-00 (A)	1-121-404-00 (A)	1-121-652-00 (B)	1-121-405-00 (A)
47	→	1-121-352-00 (A)	1-121-409-00 (A)	1-121-410-00 (A)	1-121-653-00 (B)	1-121-411-00 (A)
100	→	1-121-414-00 (A)	1-121-415-00 (A)	1-121-416-00 (A)	1-121-357-00 (B)	1-121-417-00 (B)
220	1-121-419-00 (B)	1-121-420-00 (B)	1-121-421-00 (A)	1-121-422-00 (B)	1-121-261-00 (C)	1-121-423-00 (B)
330	1-121-751-00 (B)	1-121-805-00 (B)	1-121-521-00 (C)	1-121-654-00 (B)	1-121-655-00 (D)	1-121-656-00 (C)
470	1-121-424-00 (B)	1-121-425-00 (C)	1-121-426-00 (C)	1-121-733-00 (B)	1-121-361-00 (E)	1-121-810-00 (D)
1000	-	1-121-736-00 (C)	1-121-245-00 (D)	1-121-657-00 (D)	1-121-388-00 (E)	1-123-061-00 (E)
2200	1-121-658-00 (B)	1-121-659-00 (C)	1-121-660-00 (D)	1-123-067-00 (F)	1-121-984-00 (F)	-
3300	1-121-661-00 (D)	1-123-075-00 (E)	1-123-071-00 (F)	-	-	-

CAP. (μF)	100 VOLT.	160 VOLT.	250 VOLT.	350 VOLT.
	PART No.	PART No.	PART No.	PART No.
0.47	-	-	-	-
1.0	1-123-249-00 (A)	1-123-252-00 (A)	1-123-003-00 (B)	1-121-168-00 (B)
2.2	1-123-250-00 (A)	1-123-026-00 (B)	-	1-123-028-00 (B)
3.3	1-121-995-00 (A)	-	1-123-004-00 (B)	1-123-006-00 (C)
4.7	1-123-255-00 (A)	1-121-246-00 (B)	1-121-759-00 (B)	1-123-007-00 (D)
10	1-121-126-00 (B)	1-121-999-00 (B)	1-123-254-00 (C)	1-123-008-00 (D)
22	1-121-996-00 (C)	1-123-253-00 (C)	1-123-005-00 (D)	1-123-022-00 (D)
33	1-121-997-00 (C)	1-121-757-00 (C)	-	-
47	1-123-251-00 (C)	1-121-919-00 (C)	-	-
100	1-123-084-00 (E)	-	-	-

CERAMIC CAPACITORS (A)

CAP. (pF)	RATING						
	50 VOLT.	CAP. (pF)	50 VOLT.	CAP. (pF)	50 VOLT.	CAP. (μF)	50 VOLT.
	PART No.		PART No.		PART No.		PART No.
0.5	1-101-837-00	22	1-102-959-00	150	1-101-361-00	0.001	1-102-074-00
0.75	1-101-586-00	24	1-102-960-00	160	1-101-367-00	0.0012	1-102-118-00
1.0	1-102-934-00	27	1-102-961-00	180	1-102-976-00	0.0015	1-102-119-00
1.5	1-101-576-00	30	1-102-962-00	200	1-102-977-00	0.0018	1-102-120-00
2.0	1-102-935-00	33	1-102-963-00	220	1-102-978-00	0.0022	1-102-121-00
3	1-102-936-00	36	1-102-964-00	240	1-102-979-00	0.0027	1-102-122-00
4	1-102-937-00	39	1-102-965-00	270	1-102-980-00	0.0033	1-102-123-00
5	1-102-942-00	43	1-102-966-00	300	1-102-981-00	0.0039	1-102-124-00
6	1-102-943-00	47	1-101-880-00	330	1-102-820-00	0.0047	1-102-125-00
7	1-102-944-00	51	1-101-882-00	360	1-102-821-00	0.0056	1-102-126-00
8	1-102-945-00	56	1-101-884-00	390	1-102-822-00	0.0068	1-102-127-00
9	1-102-946-00	62	1-101-886-00	430	1-102-823-00	0.0082	1-102-128-00
10	1-102-947-00	68	1-101-888-00	470	1-102-824-00	0.01	1-102-129-00
11	1-102-948-00	75	1-101-890-00	510	1-101-059-00	0.022	1-101-005-00
12	1-102-949-00	82	1-102-971-00	560	1-102-115-00	0.047	1-101-006-00
13	1-102-950-00	91	1-102-972-00	680	1-102-116-00		
15	1-102-951-00	100	1-102-973-00	820	1-102-117-00		
16	1-102-952-00	110	1-102-815-00				
18	1-102-953-00	120	1-102-816-00				
20	1-102-958-00	130	1-101-081-00				

0.001μF = 1,000pF

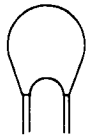
CERAMIC (SEMICONDUCTOR) CAPACITORS (A)

CAP. (μF)	RATING → : Use the high voltage rated one.				
	25 VOLT.	50 VOLT.	CAP. (μF)	25 VOLT.	50 VOLT.
	PART No.	PART No.		PART No.	PART No.
0.001	→	1-161-039-00	0.018	1-161-016-00	1-161-054-00
0.0012	→	1-161-040-00	0.022	1-161-017-00	1-161-055-00
0.0015		1-161-041-00	0.027	1-161-018-00	1-161-056-00
0.0018		1-161-042-00	0.033	1-161-019-00	1-161-057-00
0.0022		1-161-043-00	0.039	1-161-010-00	1-161-058-00
0.0027	→	1-161-044-00	0.047	1-161-021-00	1-161-059-00
0.0033	→	1-161-045-00	0.056	→	1-161-060-00
0.0039	→	1-161-046-00	0.068	→	1-161-061-00
0.0047	→	1-161-047-00	0.082	1-161-024-00	1-161-062-00
0.0056	→	1-161-048-00	0.1	1-161-025-00	1-161-063-00
0.0068	→	1-161-049-00			
0.0082	1-161-012-00	1-161-050-00			
0.01	1-161-013-00	1-161-051-00			
0.012	→	1-161-052-00			
0.015	1-161-015-00	1-161-053-00			

MYLAR CAPACITORS (A)

Note: Circled letters (A) to (Z) are applicable to European models only.

CAP. (μF)	RATING														
	50 VOLT.			100 VOLT.	200 VOLT.			CAP. (μF)	50 VOLT.			100 VOLT.	200 VOLT.		
	PART No.	PART No.	PART No.	PART No.	PART No.	PART No.	PART No.		PART No.	PART No.	PART No.	PART No.	PART No.	PART No.	
0.001	1-108-227-00	1-108-365-00	1-108-409-00	0.01	1-108-239-00	1-108-377-00	1-108-421-00	0.1	1-108-251-00	1-108-389-00	1-108-433-00				
0.0012	1-108-351-00	1-108-366-00	1-108-410-00	0.012	1-108-357-00	1-108-378-00	1-108-422-00	0.12	1-108-363-00	1-108-390-00	1-108-434-00				
0.0015	1-108-228-00	1-108-367-00	1-108-411-00	0.015	1-108-240-00	1-108-379-00	1-108-423-00	0.15	1-108-252-00	1-108-391-00	1-108-435-00				
0.0018	1-108-352-00	1-108-368-00	1-108-412-00	0.018	1-108-358-00	1-108-380-00	1-108-424-00	0.18	1-108-364-00	1-108-392-00	1-108-436-00				
0.0022	1-108-230-00	1-108-369-00	1-108-413-00	0.022	1-108-242-00	1-108-381-00	1-108-425-00	0.22	1-108-254-00	1-108-393-00	1-108-437-00				
0.0027	1-108-353-00	1-108-370-00	1-108-414-00	0.027	1-108-359-00	1-108-382-00	1-108-426-00	0.27	1-108-854-00	-	-				
0.0033	1-108-232-00	1-108-371-00	1-108-415-00	0.033	1-108-244-00	1-108-383-00	1-108-427-00	0.33	1-108-855-00	-	-				
0.0039	1-108-354-00	1-108-372-00	1-108-416-00	0.039	1-108-360-00	1-108-384-00	1-108-428-00	0.39	1-108-856-00	-	-				
0.0047	1-108-234-00	1-108-373-00	1-108-417-00	0.047	1-108-246-00	1-108-385-00	1-108-429-00	0.47	1-108-857-00	-	-				
0.0056	1-108-355-00	1-108-374-00	1-108-418-00	0.056	1-108-361-00	1-108-386-00	1-108-430-00	-	-	-	-				
0.0068	1-108-237-00	1-108-375-00	1-108-419-00	0.068	1-108-249-00	1-108-387-00	1-108-431-00	-	-	-	-				
0.0082	1-108-356-00	1-108-376-00	1-108-420-00	0.082	1-108-362-00	1-108-388-00	1-108-432-00	-	-	-	-				



TANTALUM CAPACITORS

CAP. (μF)	RATING							
	→ : Use the high voltage rated one.							
	3.15 VOLT.	6.3 VOLT.	10 VOLT.	16 VOLT.	20 VOLT.	25 VOLT.	35 VOLT.	
0.01							1-131-396-00 (B)	
0.015							1-131-397-00 (B)	
0.022							1-131-398-00 (B)	
0.033							1-131-399-00 (B)	
0.047							1-131-400-00 (B)	
0.068							1-131-401-00 (B)	
0.1							1-131-402-00 (B)	
0.15							1-131-403-00 (B)	
0.22							1-131-404-00 (B)	
0.33						1-131-409-00 (B)	1-131-405-00 (B)	
0.47	-	-	-	-	1-131-412-00 (B)		1-131-406-00 (B)	
0.68	-	-	-	1-131-415-00 (B)		1-131-410-00 (B)	1-131-407-00 (B)	
1.0	-	-	1-131-418-00 (B)		1-131-413-00 (B)		1-131-408-00 (B)	
1.5	-	1-131-421-00 (B)		1-131-416-00 (B)		1-131-411-00 (B)	1-131-348-00 (B)	
2.2	1-131-424-00 (B)		1-131-419-00 (B)		1-131-414-00 (B)	1-131-355-00 (B)	1-131-349-00 (B)	
3.3	-	1-131-422-00 (B)	-	1-131-417-00 (B)	1-131-362-00 (B)	1-131-356-00 (B)	1-131-350-00 (B)	
4.7	1-131-425-00 (B)	-	1-131-420-00 (B)	1-131-369-00 (B)	1-131-363-00 (B)	1-131-357-00 (B)	1-131-351-00 (C)	
6.8	-	1-131-423-00 (B)	1-131-376-00 (B)	1-131-370-00 (B)	1-131-364-00 (B)	1-131-358-00 (C)	1-131-352-00 (C)	
10	1-131-426-00 (B)	1-131-383-00 (B)	1-131-377-00 (B)	1-131-371-00 (B)	1-131-365-00 (C)	1-131-359-00 (C)	1-131-353-00 (D)	
15	1-131-390-00 (B)	1-131-384-00 (B)	1-131-378-00 (B)	1-131-372-00 (B)	1-131-366-00 (C)	1-131-360-00 (D)		
22	1-131-391-00 (B)	1-131-385-00 (B)	1-131-379-00 (C)	1-131-373-00 (C)	1-131-367-00 (D)			
33	1-131-392-00 (B)	1-131-386-00 (C)	1-131-380-00 (C)	1-131-374-00 (D)				
47	1-131-393-00 (C)	1-131-387-00 (C)	1-131-381-00 (D)					
68	1-131-394-00 (B)	1-131-388-00 (C)						
100	1-131-395-00 (D)							



TANTALUM CAPACITORS

CAP. (μF)	RATING					
	3 VOLT.	6.3 VOLT.	10 VOLT.	16 VOLT.	20 VOLT.	35 VOLT.
	PART No.	PART No.	PART No.	PART No.	PART No.	PART No.
0.033						1-131-273-00 (E)
0.047						1-131-274-00 (E)
0.068						1-131-275-00 (E)
0.1						1-131-276-00 (D)
0.15						1-131-277-00 (D)
0.22						
0.33					1-131-262-00 (D)	1-131-278-00 (D)
0.47					1-131-263-00 (D)	1-131-279-00 (D)
0.68			1-131-169-00 (D)		1-131-264-00 (D)	1-131-280-00 (D)
1.0				1-131-258-00 (D)	1-131-265-00 (D)	1-131-281-00 (D)
1.5			1-131-254-00 (D)		1-131-266-00 (D)	1-131-282-00 (D)
2.2		1-131-250-00 (D)			1-131-267-00 (D)	1-131-283-00 (E)
3.3				1-131-259-00 (D)	1-131-268-00 (D)	1-131-284-00 (E)
4.7		1-131-251-00 (E)	1-131-255-00 (D)		1-131-269-00 (D)	
6.8			1-131-171-00 (D)		1-131-270-00 (D)	
10				1-131-260-00 (D)	1-131-271-00 (E)	
15			1-131-256-00 (D)		1-131-272-00 (E)	
22		1-131-252-00 (D)		1-131-261-00 (E)		
33			1-131-257-00 (E)			
47	1-131-176-00 (D)	1-131-253-00 (E)	1-131-173-00 (C)			
	1-131-288-00 (F)	1-131-174-00 (D)				
100	1-131-177-00 (D)					