

TA-E80ES

SERVICE MANUAL

*US Model
Canadian Model
AEP Model
E Model*



SPECIFICATIONS

Item	Condition	Data	
Total harmonic distortion	At rated 20 Hz - 20 kHz output	0.001%	
Intermodulation (IM) distortion 60 Hz : 7 kHz = 4 : 1	at rated output	0.001%	
Residual noise	Network A	Less than 8 μ V	
Frequency response	PHONO MM	RIAA equalization curve ± 0.2 dB	
	TUNER, CD, AUX, TAPE 1, TAPE 2, TAPE 3, ADAPTOR IN	3 Hz - 300 kHz ± 3 dB	
Input sensitivity	PHONO	MC (3 ohms)	0.17 mV, 100 ohms
		MC (40 ohms)	0.17 mV, 1 kohms
		MM	2.5 mV, 50 kohms
	TUNER, CD (UNBALANCED), AUX, TAPE 1, TAPE 2, TAPE 3, ADAPTOR IN	150 mV, 50 kohms	
	CD (BALANCED)	300 mV, 20 kohms	
Maximum input capability (1 kHz)	PHONO (1 kHz, THD 0.003%)	MC	9 mV
		MM	150 mV

S/N (network)	PHONO	MC (0.5 mV)	83 dB (A)
		MM (5 mV)	95 dB (A)
	TUNER, CD (UNBALANCED), AUX, TAPE 1, TAPE 2, TAPE 3, ADAPTOR IN		105 dB (A)
Output voltage impedance	TAPE 1, TAPE 2, TAPE 3		150 mV, 1 kohms
	HEADPHONES		45 milliwatts (at 8 ohms) Accepts low and high impedance headphones.
	OUTPUT (UNBALANCED)		1.5 V, 700 ohms
	OUTPUT (BALANCED)		3 V, 1.2 kohms

— Continued on Page 2 —

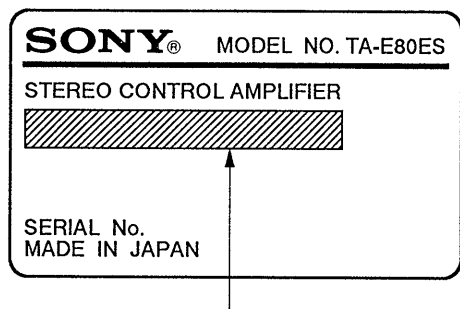


STEREO CONTROL AMPLIFIER
SONY®

Item	Condition	Data
Tone controls	BASS (at 100 Hz)	±7 dB (turnover freq. 200 Hz) ±8 dB (turnover freq. 400 Hz)
	TREBLE (at 10 kHz)	±6 dB (turnover freq. 3 kHz) ±8 dB (turnover freq. 6 kHz)
SUBSONIC filter	—	6 dB/octave attenuation below 15 Hz
Muting	—	-20 dB

MODEL IDENTIFICATION

— Specification Labels —



US, Canadian model: AC 120V 60Hz 20W
 AEP, Germany model: AC 220V~50/60Hz
 E model: AC 120/220/240 V ~50/60 Hz 20W

General

- System** Low-noise FET high gain, NFB type equalizer amplifier, low noise FET, Double-stage differential, push-pull output, flat amplifier passive type direct tone control
- Power requirements**
 US, Canadian model: 120 V AC, 60 Hz
 AEP, Germany model: 220 V AC, 50/60 Hz
 E model: 110 – 120 V or 220 – 240 V AC adjustable, 50/60 Hz
- Power consumption**
 20 W
- AC outlets** US model: 3 switched, 480 W max.
 Canadian model: 3 switched, 480 VA max.
 AEP, Germany model: 3 switched 200 W max.
 E model: 3 switched, 500 W max.
- Dimensions** Approx. 470 × 130 × 370 mm (w/h/d)
 Incl. projecting parts and controls
 Approx. 11.5 kg
- Supplied accessories**
 Remote commander
 AEP, Germany, E model: RM-808 (1)
 US, Canadian model: RM-S806 (1)
 Sony batteries SUM-3 (NS) (2)
 Connecting cord (1)

Design and specification subject to change without notice.

SAFETY-RELATED COMPONENT WARNING!!

COMPONENTS IDENTIFIED BY MARK OR DOTTED LINE WITH MARK ON THE SCHEMATIC DIAGRAMS AND IN THE PARTS LIST ARE CRITICAL TO SAFE OPERATION. REPLACE THESE COMPONENTS WITH SONY PARTS WHOSE PART NUMBERS APPEAR AS SHOWN IN THIS MANUAL OR IN SUPPLEMENTS PUBLISHED BY SONY.

ATTENTION AU COMPOSANT AYANT RAPPORT À LA SÉCURITÉ!

LES COMPOSANTS IDENTIFIÉS PAR UNE MARQUE SUR LES DIAGRAMMES SCHÉMATIQUES ET LA LISTE DES PIÈCES SONT CRITIQUES POUR LA SÉCURITÉ DE FONCTIONNEMENT. NE REMPLACER CES COMPOSANTS QUE PAR DES PIÈCES SONY DONT LES NUMÉROS SONT DONNÉS DANS CE MANUEL OU DANS LES SUPPLÉMENTS PUBLIÉS PAR SONY.

TABLE OF CONTENTS

<u>Section</u>	<u>Title</u>	<u>Page</u>	<u>Section</u>	<u>Title</u>	<u>Page</u>
Specifications	1	3.	DIAGRAMS	
1. GENERAL			3-1.	Circuit Boards Location	8
Precautions	3	3-2.	Semiconductor Lead Layouts	9
Operating Voltage	3	3-3.	Printed Wiring Boards	10
Function of Controls	4	3-4.	Schematic Diagram	15
System Connections	6	4.	EXPLODED VIEWS	19
2. DISASSEMBLY	7	5.	ELECTRICAL PARTS LIST	23

SECTION 1 GENERAL

SAFETY CHECK-OUT

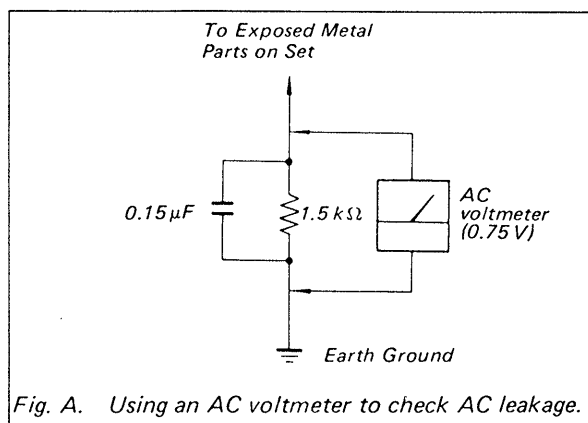
After correcting the original service problem, perform the following safety check before releasing the set to the customer:

Check the antenna terminals, metal trim, "metallized" knobs, screws, and all other exposed metal parts for AC leakage. Check leakage as described below.

LEAKAGE TEST

The AC leakage from any exposed metal part to earth ground and from all exposed metal parts to any exposed metal part having a return to chassis, must not exceed 0.5 mA (500 microamperes). Leakage current can be measured by any one of three methods.

1. A commercial leakage tester, such as the Simpson 229 or RCA WT-540A. Follow the manufacturers' instructions to use these instruments.
2. A battery-operated AC milliammeter. The Data Precision 245 digital multimeter is suitable for this job.
3. Measuring the voltage drop across a resistor by means of a VOM or battery-operated AC voltmeter. The "limit" indication is 0.75 V, so analog meters must have an accurate low-voltage scale. The Simpson 250 and Sanwa SH-63Trd are examples of a passive VOM that is suitable. Nearly all battery operated digital multimeters that have a 2 V AC range are suitable. (See Fig. A)



This section is extracted from instruction manual.

Precautions

- Unplug the unit from the wall outlet if it is not to be used for an extended period of time. To disconnect the cord, pull it out by grasping the plug. Never pull the plug out by the cord.
- Avoid installing or leaving the unit in a location:
 - near heat sources such as radiators, airducts or heaters
 - subject to direct sunlight
 - exposed to rain or moisture
 - where it is liable to come into contact with dust or dirt
 - that is unventilated, such as on a bookcase.
- Should any liquid or solid object fall into the unit, unplug the unit and have the unit checked by qualified personnel before operating it any further.
- AC power cord must be changed only at the qualified service shop.
- The unit is not disconnected from the AC power source as long as it is connected to the mains outlet, even if the unit itself has been turned off.

If you have any question or problem concerning your unit that is not covered in this manual, please consult your nearest Sony dealer.

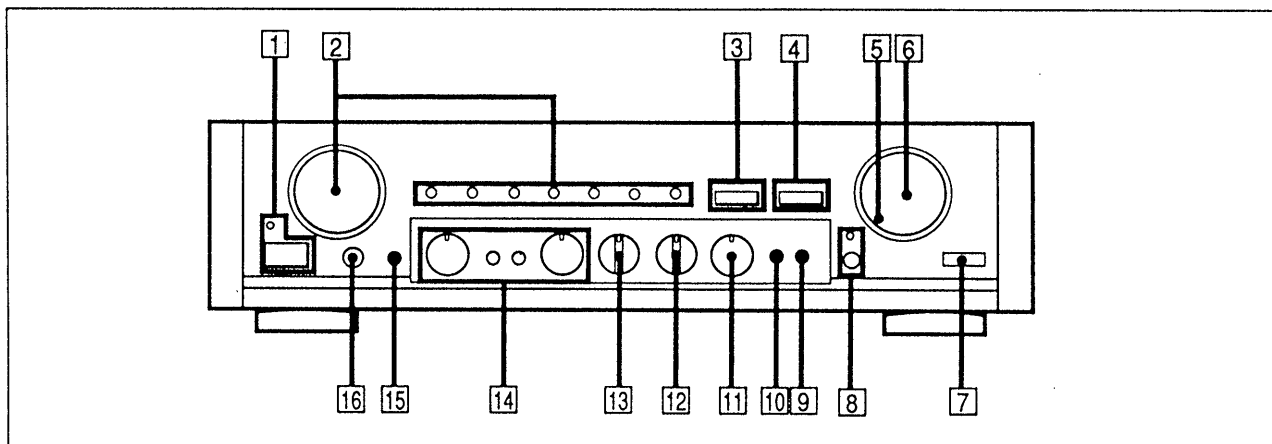
Operating Voltage

Before connecting the unit to an AC outlet, be sure that the operating voltage of your unit is identical with that of your local power supply.

AEP, Germany model	Operates on 220 V AC, 50/60
US, Canadian model	Operates on 120 V AC, 60 Hz.
E model	Operates on either 110 – 120 V or 220 – 240 V AC, 50/60 Hz. The voltage selector is located on the rear panel. If the selector must be reset, disconnect the AC power cord and set the selector to the proper voltage of your local power supply.

Function of Controls

Fonction des commandes



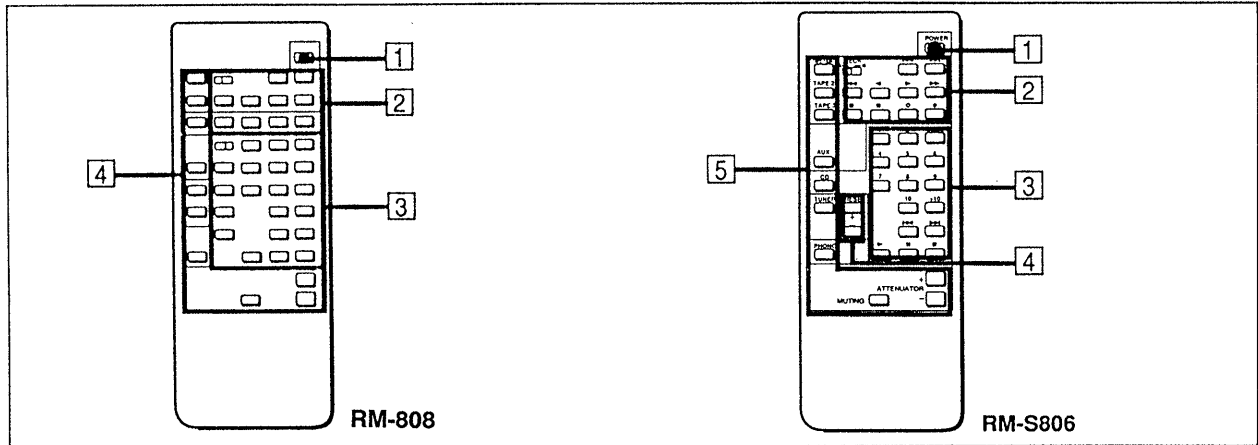
For instructions refer to the pages indicated in the circled number.

Pour les détails, se reporter aux pages indiquées dans les cercles.

- 1 POWER switch and STANDBY Indicator 18
- 2 INPUT SELECTOR and Indicators 18
- 3 ADAPTOR switch and Indicator 18
- 4 SOURCE DIRECT switch and Indicator 18
- 5 Protection and power on Indicator 18
- 6 ATTENUATOR control 18
- 7 Remote sensor
- 8 MUTING button and indicator 18
- 9 SUBSONIC filter switch 18
- 10 MODE selector 18
- 11 BALANCE control 18
- 12 CARTRIDGE LOAD selector 18
- 13 REC OUT SELECTOR 20
- 14 BASS and TREBLE controls and TURNOVER selectors 18
- 15 OUTPUT switch 18
- 16 PHONES Jack (stereo phone jack)

- 1 Interrupteur d'alimentation (POWER) et témoin d'attente (STANDBY) 18
- 2 Sélecteur et témoins d'entrée (INPUT SELECTOR) 18
- 3 Commutateur et témoin d'adaptateur (ADAPTOR) 18
- 4 Commutateur et témoin de source directe (SOURCE DIRECT) 18
- 5 Témoin de blocage et de mise sous-tension 18
- 6 Bouton d'atténuation (ATTENUATOR) 18
- 7 Détecteur de télécommande
- 8 Touche et témoin d'assourdissement (MUTING) 18
- 9 Commutateur de filtre subsonique (SUBSONIC) 18
- 10 Sélecteur de mode (MODE) 18
- 11 Bouton de balance (BALANCE) 18
- 12 Sélecteur de chargement de cellule (CARTRIDGE LOAD) 18
- 13 Sélecteur de sortie d'enregistrement (REC OUT SELECTOR) 20
- 14 Boutons des graves et des aigus (BASS, TREBLE) et sélecteurs de fréquence de Nyquist (TURNOVER) 18
- 15 Commutateur de sortie (OUTPUT) 18
- 16 Prise casque (PHONES, téléphonie stéréo)

Function of Controls



● **RM-808 (AEP, Germany, E model)**

1 POWER switch

2 Tape deck or DAT deck control section

- DECK A/B selector: Selects DECK A or B to be controlled.
- ◀◀/▶▶: Locates a desired selection. (AMS) (only for deck B)
- ◀/▶: Play
- ◀◀/▶▶: Fast winding
- : Stop
- ⏸: Pause
- : Record muting
- : Recording

3 Tuner or CD control section

- TUNER/CD selector: Selects TUNER or CD to be controlled.
- BAND button: Selects the band for a preset station. (only for tuner)
- SHIFT and PRESET buttons: Selects a preset station.(only for tuner)
- Preset or program number (1 to 9, 0/10, and >10) buttons: Selects a preset station (only for tuner) or track (only for CD player).
- ◀◀/▶▶: Locates a desired selection.(only for CD player)
- ▶: Starts play.(only for CD player)
- : Stops play.(only for CD player)
- ⏸: Pause (only for CD player)

4 Control amplifier section

- Function selectors: Select an input source of the control amplifier.
- ATTENUATOR +/- buttons: Control the attenuator of the control amplifier.
- MUTING button: Mutes the sound.

● **RM-S806 (US, Canadian model)**

1 POWER switch

2 Tape deck or DAT deck control section

- DECK A/B selector: Selects DECK A or B to be controlled.
- ◀◀/▶▶: Locate a desired selection. (AMS) (only for deck B)
- ◀/▶: Play
- ◀◀/▶▶: Fast winding
- : Stop
- ⏸: Pause
- : Record muting
- : Recording

3 CD control section

- Program number (1 to 9, 10, and >10) buttons: Select a preset station (only for tuner) or track.
- ◀◀/▶▶: Locate a desired selection.
- ▶: Starts play.
- : Stops play.
- ⏸: Pause

4 Tuner control section

- PRESET +/- buttons: Select a preset station.

5 Amplifier control section

- Function selectors: Select an input source of the control amplifier.
- ATTENUATOR +/- buttons: Control the attenuator of the control amplifier.
- MUTING button: Mutes the sound.

System Connections

Connexions du système

Connection Notes

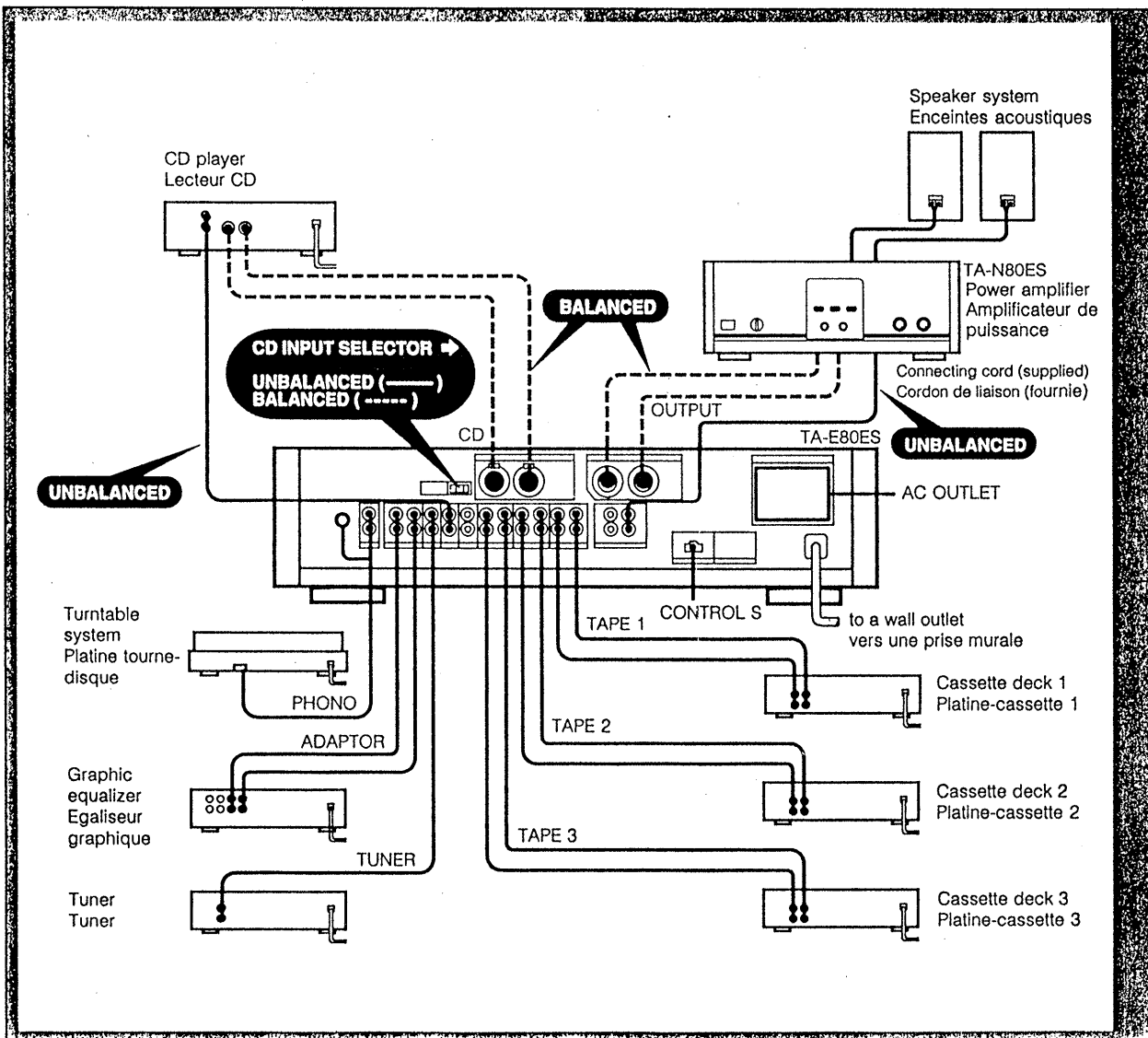
- The power cord should be connected last of all, first making sure that the POWER switch is turned off.
- Cable connectors should be fully inserted into the jacks. A loose connection may cause hum and noise.
- Cord plugs and jacks are color coded. Red plugs and jacks are for the right channel (R) and white ones are for the left channel (L).

Remarques sur les connexions

- Le cordon d'alimentation doit être raccordé en dernier, en s'assurant au préalable que l'interrupteur POWER est sur OFF.
- Les câbles de connexions doivent être entièrement insérés dans les prises, une connexion relâchée pouvant être la cause de bruit et de ronflement.
- Les fiches et prises des cordons sont codées avec une couleur. Les fiches et prises rouges sont destinées au canal droit et les blanches au canal gauche.

Connection Diagram

Schéma des connexions



SECTION 2 DISASSEMBLY

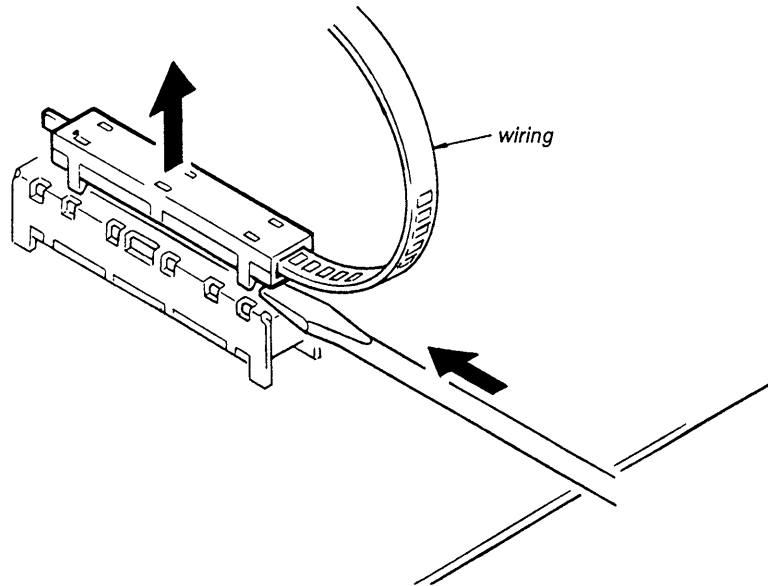
NOTE ON REPAIRING DISASSEMBLY AND ASSEMBLY FOR SWITCH SECTION

Note: Follow the disassembly procedure in the numerical order given.

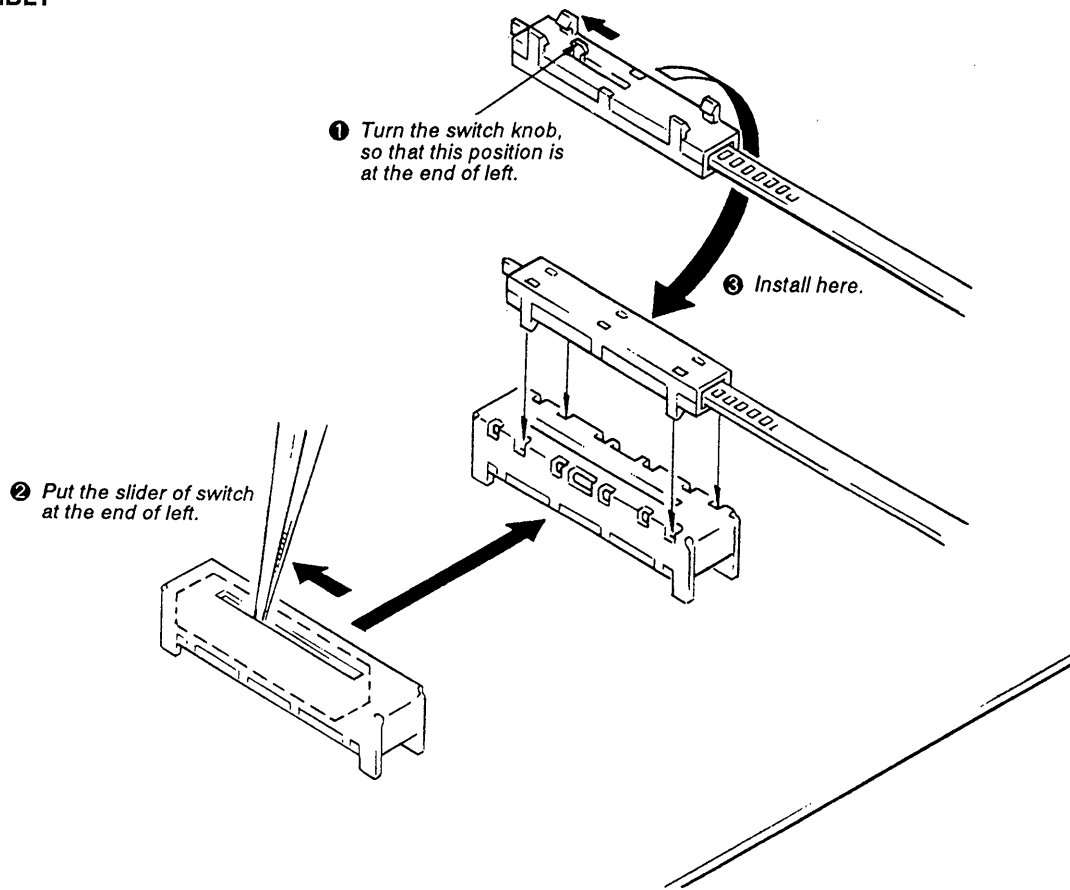
DISASSEMBLY

Insert in the screwdriver and remote the wiring as illustrated below.

CAUTION: Don't pull the wiring. It causes the wiring damage.

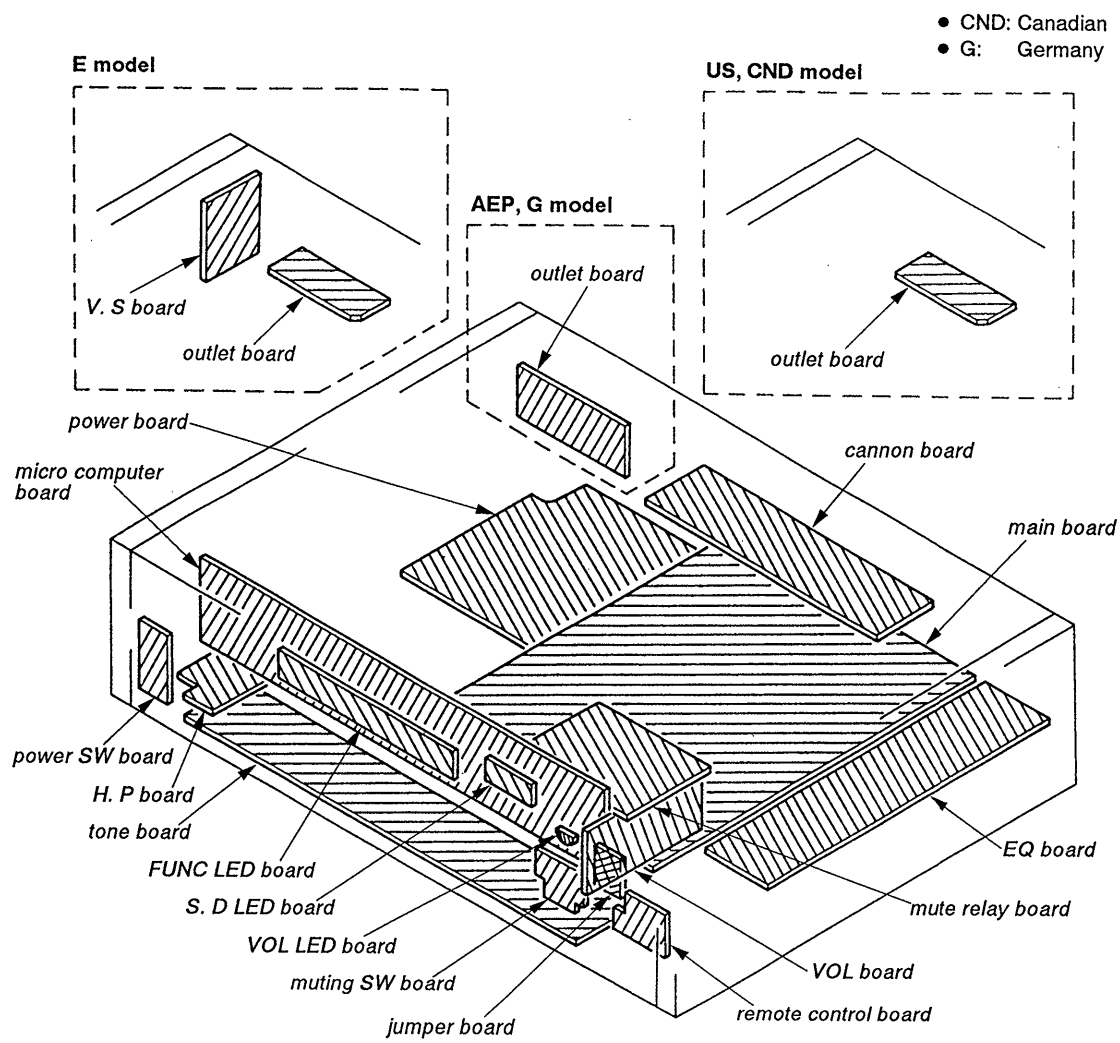


ASSEMBLY

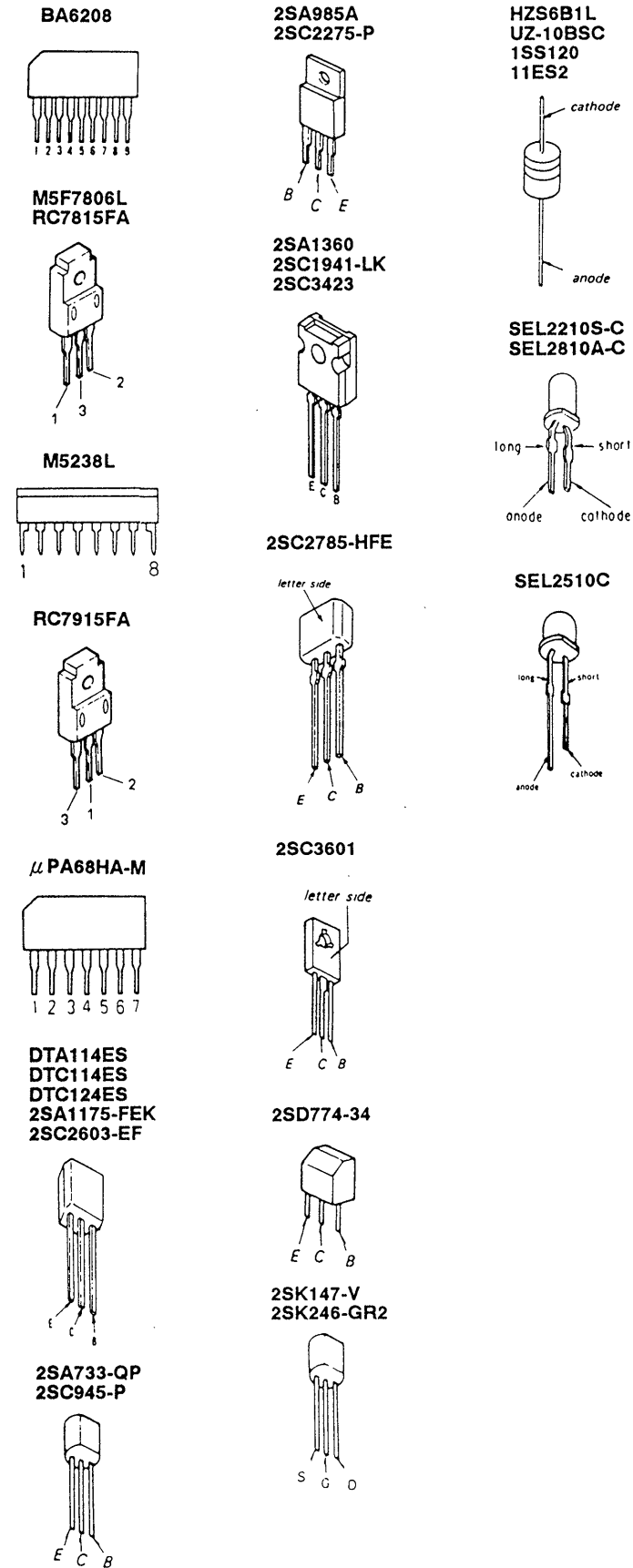


SECTION 3
DIAGRAMS

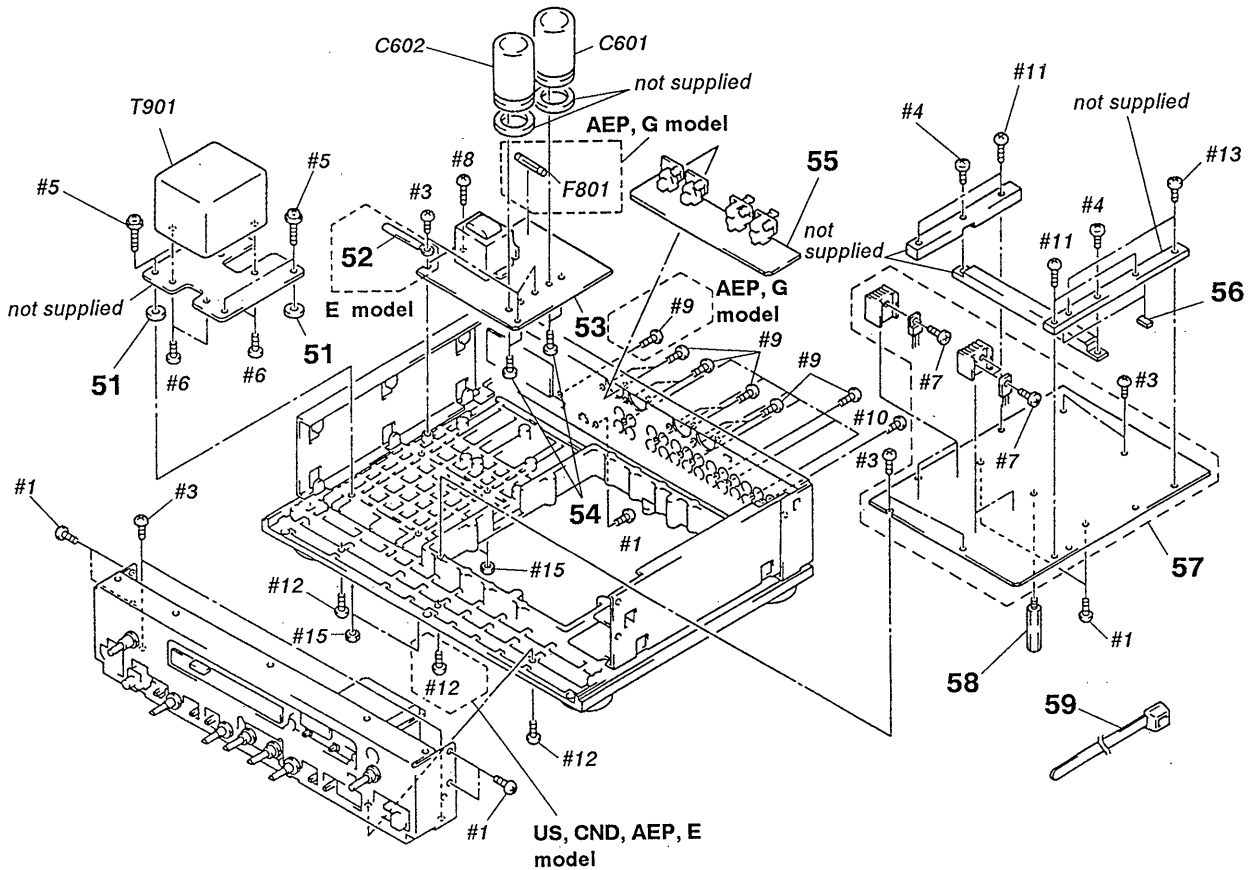
3-1. CIRCUIT BOARDS LOCATION



3-2. SEMICONDUCTOR LEAD LAYOUTS



(2) MAIN BOARD SECTION



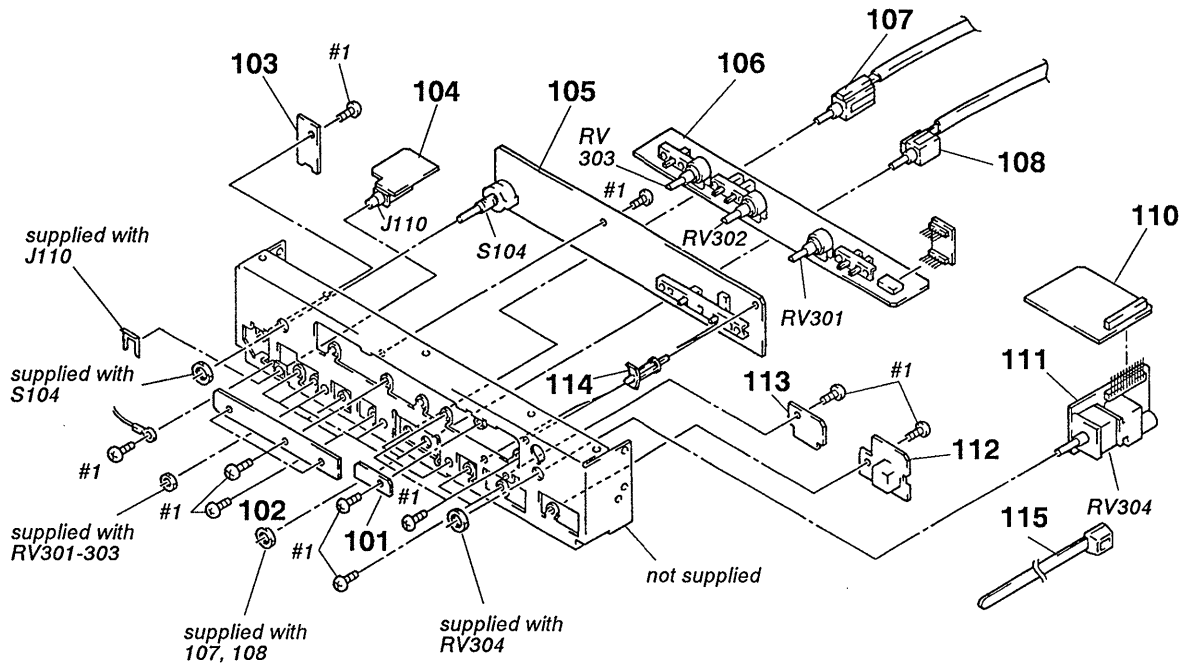
Ref. No.	Part No.	Description	Remark
51	4-931-976-01	WASHER (BS)	
52	* 4-908-882-01	CLAMP (E)	
53	* A-4341-159-A	POWER BOARD, COMPLETE (AEP, G)	
53	* A-4341-173-A	POWER BOARD, COMPLETE (E)	
53	* A-4345-286-A	POWER BOARD, COMPLETE (US, Canadian)	
54	* 4-931-964-01	SCREW (M4X6)	
55	* A-4341-156-A	CANON BOARD, COMPLETE (AEP, E)	
55	* A-4341-177-A	CANON BOARD, COMPLETE (G)	
55	* A-4345-284-A	CANON BOARD, COMPLETE (US, Canadian)	
56	* 4-024-242-21	CUSHION, LID	

Ref. No.	Part No.	Description	Remark
57	* A-4341-154-A	MAIN BOARD, COMPLETE (AEP, E)	
57	* A-4341-175-A	MAIN BOARD, COMPLETE (G)	
57	* A-4345-282-A	MAIN BOARD, COMPLETE (US, Canadian)	
58	* 4-906-052-21	SUPPORT (B)	
59	3-655-653-21	BAND (TAITON), BINDING	
	C601	1-125-640-11 CAP, ELECT 10000MF 20% 50V	
	C602	1-125-640-11 CAP, ELECT 10000MF 20% 50V	
	F801	△ 1-532-286-00 FUSE, TIME-LAG (2.5A) (AEP, G)	
	T901	△ 1-450-182-11 TRANSFORMER, POWER (AEP, G)	
	T901	△ 1-450-183-11 TRANSFORMER, POWER (E)	
	T901	△ 1-450-440-11 TRANSFORMER, POWER (US, Canadian)	

Note:
The components identified by mark △ or dotted line with mark △ are critical for safety. Replace only with part number specified.

Note:
Les composants identifiés par une marque △ sont critiques pour la sécurité. Ne les remplacer que par une pièce portant le numéro spécifié.

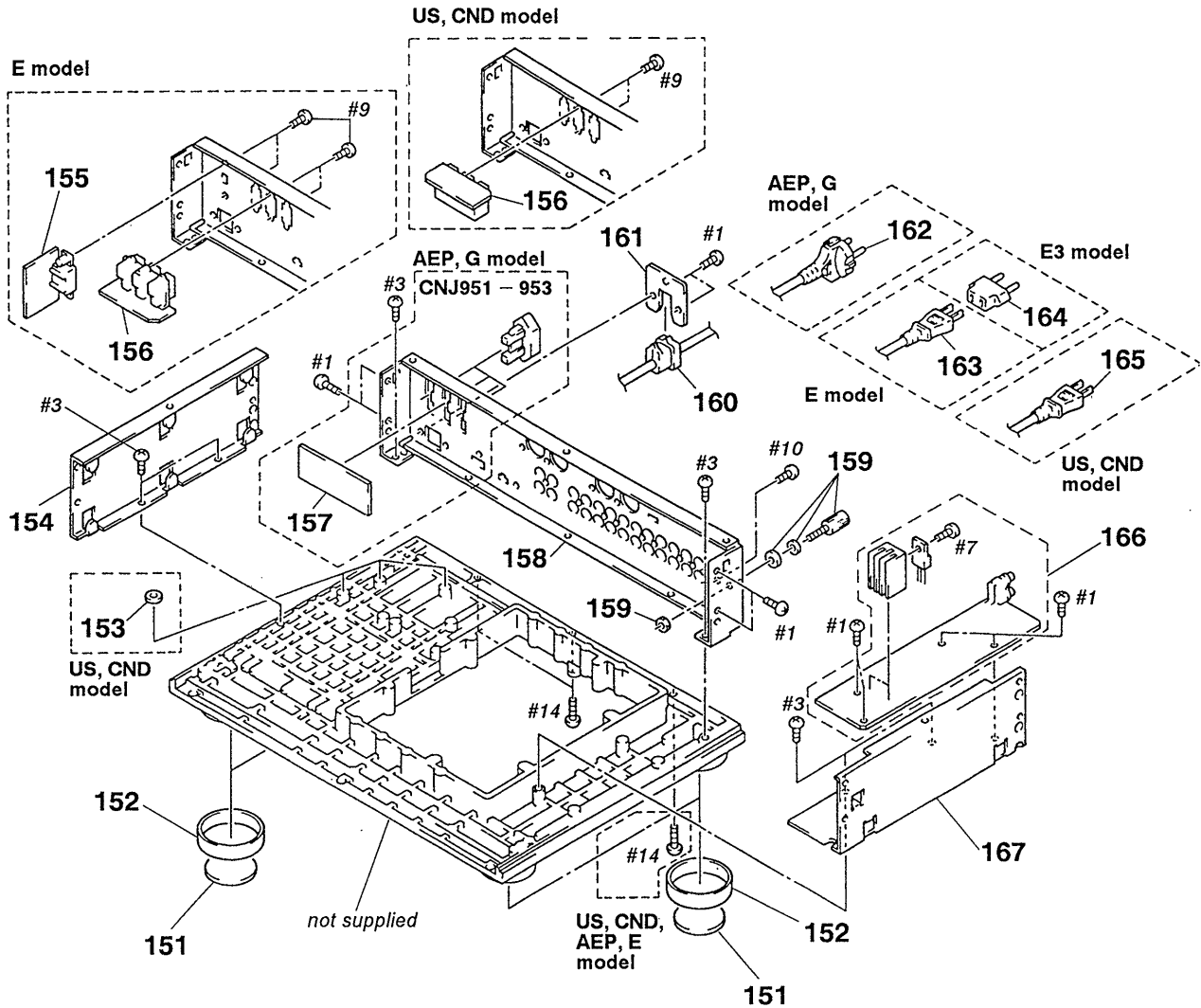
(3) FRONT CHASSIS SECTION



Ref.No.	Part No.	Description	Remark
101	* 1-635-826-11	SD LED BOARD	
102	* 1-635-825-11	FUNCTION LED BOARD	
103	* 1-635-830-11	POWER SW BOARD	
104	* 1-635-827-11	H. P BOARD	
105	* A-4341-157-A	MICRO COMPUTER BOARD, COMPLETE	
106	* A-4341-158-A	TONE BOARD, COMPLETE	
107	1-572-431-11	SWITCH, ROTARY SLIDE (REMOTE)	
108	1-572-430-11	SWITCH, ROTARY SLIDE (REMOTE)	

Ref.No.	Part No.	Description	Remark
109	* 1-635-833-11	JUMPER BOARD	
110	* 1-635-831-11	MUTE RELAY BOARD	
111	* 1-635-824-11	VOLUME BOARD	
112	* 1-635-829-11	REMOTE CONTROL BOARD	
113	* 1-635-828-11	MUTING SW BOARD	
114	* 4-924-098-31	HOLDER, PC BOARD	
115	3-655-653-21	BAND (TAITON), BINDING	

(4) MAIN CHASSIS SECTION



Ref. No.	Part No.	Description	Remark
151	4-908-888-01	FOOT, TUNING	
152	4-923-882-02	RING (LARGE-16), ORNAMENTAL, FOOT	
153	* 4-944-056-01	SPACER (US, Canadian)	
154	* 4-922-231-01	BRACKET, MICRO COMPUTER PCBOARD	
155	* 1-635-835-11	V. S BOARD (E)	
156	* 1-635-820-11	OUTLET BOARD (US, Canadian, E)	
157	* 1-635-834-11	OUTLET BOARD (AEP, G)	
158	* 4-922-260-12	PANEL, BACK (E)	
158	* 4-922-260-01	PANEL, BACK (AEP, G)	
158	* 4-922-260-21	PANEL, BACK (US, Canadian)	
159	* 4-935-253-01	TERMINAL, SP	

Note:
The components identified by mark ▲ or dotted line with mark ▲ are critical for safety. Replace only with part number specified.

Note:
Les composants identifiés par une marque ▲ sont critiques pour la sécurité. Ne les remplacer que par une pièce portant le numéro spécifié.

Ref. No.	Part No.	Description	Remark
160	▲ 2-352-626-01	BUSHING, CORD (AEP, G, E)	
160	▲ 4-916-783-01	BUSHING, CORD (US, Canadian)	
161	* 4-923-873-01	BRACKET, CORD STOPPER	
162	▲ 1-575-953-11	CORD, POWER (AEP, G)	
163	▲ 1-559-297-31	CORD, POWER (E)	
164	▲ 1-569-007-11	ADAPTOR, CONVERSION 2P (E3)	
165	▲ 1-559-479-11	CORD, POWER (US, Canadian)	
166	* A-4341-155-A	EQ BOARD, COMPLETE (AEP, E)	
166	* A-4341-176-A	EQ BOARD, COMPLETE (G)	
166	* A-4345-283-A	EQ BOARD, COMPLETE (US, Canadian)	
167	* 4-922-230-01	BRACKET, EQ PC BOARD	
	CNJ951▲	1-526-794-11	OUTLET, AC (AEP, G)
	CNJ952▲	1-526-794-11	OUTLET, AC (AEP, G)
	CNJ953▲	1-526-794-11	OUTLET, AC (AEP, G)

SECTION 5 ELECTRICAL PARTS LIST

MAIN
EQ
CANON
OUTLET

NOTE:

- Due to standardization, replacements in the parts list may be different from the parts specified in the diagrams or the components used on the set.
- -XX and -X mean standardized parts, so they may have some difference from the original one.
- RESISTORS
All resistors are in ohms.
METAL: Metal-film resistor
METAL OXIDE: Metal Oxide-film resistor
F: nonflammable

- Items marked "*" are not stocked since they are seldom required for routine service. Some delay should be anticipated when ordering these items.
- SEMICONDUCTORS
In each case, u: μ , for example:
uA...: μ A..., uPA...: μ PA...,
uPB...: μ PB..., uPC...: μ PC...,
uPD...: μ PD...
- CAPACITORS
uF: μ F
- COILS
uH: μ H
- G: Germany

The components identified by mark Δ or dotted line with mark Δ are critical for safety. Replace only with part number specified.

Les composants identifiés par une marque Δ sont critiques pour la sécurité. Ne les remplacer que par une pièce portant le numéro spécifié.

When including parts by reference number, please include the board name.

Ref. No.	Part No.	Description	Remark	Ref. No.	Part No.	Description	Remark
	* A-4341-154-A	MAIN BOARD, COMPLETE (AEP, E)		C113	1-110-335-11	MYLAR 100PF 5% 50V	
	* A-4341-175-A	MAIN BOARD, COMPLETE (G)		C114	1-136-808-11	FILM 100PF 5% 100V (G)	
	* A-4345-282-A	MAIN BOARD, COMPLETE (US, Canadian)		C118	1-123-369-00	ELECT 4.7uF 20% 50V	
	*****			C119	1-123-369-00	ELECT 4.7uF 20% 50V	
	* A-4341-155-A	EQ BOARD, COMPLETE (AEP, E)		C120	1-123-333-00	ELECT 100uF 20% 25V (AEP, G, E)	
	* A-4341-176-A	EQ BOARD, COMPLETE (G)		C120	1-124-122-11	ELECT 100uF 20% 50V (US, Canadian)	
	* A-4345-283-A	EQ BOARD, COMPLETE (US, Canadian)		C121	1-125-641-11	CAP, ELECT 1000uF	
	*****			C122	1-125-641-11	CAP, ELECT 1000uF	
	* A-4341-156-A	CANON BOARD, COMPLETE (AEP, E)		C123	1-126-044-11	ELECT 1uF 20% 50V	
	* A-4341-177-A	CANON BOARD, COMPLETE (G)		C130	1-123-332-00	ELECT 47uF 20% 25V (AEP, G, E)	
	* A-4345-284-A	CANON BOARD, COMPLETE (US, Canadian)		C130	1-124-910-11	ELECT 47uF 20% 50V (US, Canadian)	
	*****			C142	1-136-808-11	FILM 100PF 5% 100V (G)	
	* 1-635-820-11	OUTLET BOARD (US, Canadian, E)		C151	1-136-808-11	FILM 100PF 5% 100V (G)	
	* 1-635-834-11	OUTLET BOARD (AEP, G)		C152	1-136-808-11	FILM 100PF 5% 100V	
	* 4-908-950-01	REINFORCEMENT (A), PWB		C153	1-136-813-11	FILM 680PF 5% 100V	
	* 4-921-402-01	HEAT SINK		C154	1-104-327-11	POLYSTYRENE 22PF 10% 125V	
	4-924-264-01	TERMINAL, MOUNT		C155	1-123-333-00	ELECT 100uF 20% 25V (AEP, G, E)	
	* 4-943-900-01	SPACER		C155	1-124-122-11	ELECT 100uF 20% 50V (US, Canadian)	
	7-682-148-15	SCREW, TR		C156	1-104-326-11	POLYSTYRENE 7PF 1PF 125V	
	< CAPACITOR >			C157	1-136-962-11	FILM 0.47uF 10% 160V	
C101	1-136-808-11	FILM 100PF 5% 100V (G)		C158	1-124-910-11	ELECT 47uF 20% 50V	
C102	1-136-808-11	FILM 100PF 5% 100V		C159	1-123-330-00	ELECT 22uF 20% 16V	
C103	1-136-813-11	FILM 680PF 5% 100V		C163	1-110-335-11	MYLAR 100PF 5% 50V	
C104	1-104-327-11	POLYSTYRENE 22PF 10% 125V		C164	1-136-808-11	FILM 100PF 5% 100V (G)	
C105	1-123-333-00	ELECT 100uF 20% 25V (AEP, G, E)		C180	1-123-332-00	ELECT 47uF 20% 25V (AEP, G, E)	
C105	1-124-122-11	ELECT 100uF 20% 50V (US, Canadian)		C180	1-124-910-11	ELECT 47uF 20% 50V (US, Canadian)	
C106	1-104-326-11	POLYSTYRENE 7PF 1PF 125V		C192	1-136-808-11	FILM 100PF 5% 100V (G)	
C107	1-136-962-11	FILM 0.47uF 10% 160V		C201	1-136-811-11	FILM 330PF 5% 100V	
C108	1-124-910-11	ELECT 47uF 20% 50V				(US, Canadian, AEP, E)	
C109	1-123-330-00	ELECT 22uF 20% 16V					

MAIN

EQ

CANON

OUTLET

Ref. No.	Part No.	Description	Remark		
C202	1-130-487-00	MYLAR	0.022uF	5%	50V
C203	1-124-748-11	ELECT	22uF	20%	100V
C204	1-124-130-00	ELECT	100uF	20%	63V
C206	1-136-304-11	FILM	0.016uF	2%	0
C207	1-136-305-11	FILM	0.056uF	2%	0
C208	1-162-283-11	CERAMIC	120PF	10%	50V (G)
C209	1-162-282-11	CERAMIC	100PF	10%	50V (G)
C210	1-110-335-11	FILM	100PF	5%	50V (G)
C211	1-124-557-11	ELECT	1000uF	20%	25V
C213	1-124-713-11	ELECT	470uF	20%	35V
C251	1-136-811-11	FILM	330PF	5%	100V (US, Canadian, AEP, E)
C252	1-130-487-00	MYLAR	0.022uF	5%	50V
C253	1-124-748-11	ELECT	22uF	20%	100V
C254	1-124-130-00	ELECT	100uF	20%	63V
C256	1-136-304-11	FILM	0.016uF	2%	0
C257	1-136-305-11	FILM	0.056uF	2%	0
C258	1-162-283-11	CERAMIC	120PF	10%	50V (G)
C259	1-162-282-11	CERAMIC	100PF	10%	50V (G)
C260	1-110-335-11	FILM	100PF	5%	50V (G)
C261	1-124-557-11	ELECT	1000uF	20%	25V
C263	1-124-713-11	ELECT	470uF	20%	35V
C401	1-107-202-00	MICA	10PF	5%	500V
C402	1-107-202-00	MICA	10PF	5%	500V
C403	1-123-356-00	ELECT	10uF	20%	16V
C404	1-162-199-31	CERAMIC	10PF	5%	50V
C405	1-123-332-00	ELECT	47uF	20%	25V (AEP, G, E)
C405	1-124-910-11	ELECT	47uF	20%	50V (US, Canadian)
C406	1-136-808-11	FILM	100PF	5%	100V (G)
C408	1-123-345-00	ELECT	100uF	20%	35V
C409	1-123-345-00	ELECT	100uF	20%	35V
C410	1-123-345-00	ELECT	100uF	20%	35V
C411	1-123-345-00	ELECT	100uF	20%	35V
C412	1-162-282-31	CERAMIC	100PF	10%	50V
C451	1-107-202-00	MICA	10PF	5%	500V
C452	1-107-202-00	MICA	10PF	5%	500V
C453	1-123-356-00	ELECT	10uF	20%	16V
C454	1-162-199-31	CERAMIC	10PF	5%	50V
C455	1-123-332-00	ELECT	47uF	20%	25V (AEP, G, E)
C455	1-124-910-11	ELECT	47uF	20%	50V (US, Canadian)
C456	1-136-808-11	FILM	100PF	5%	100V (G)
C462	1-162-282-31	CERAMIC	100PF	10%	50V
C916	1-124-045-00	ELECT	4.7uF	20%	50V (AEP, G, E)
C916	1-126-163-11	ELECT	4.7uF	20%	50V (US, Canadian)
C917	1-124-045-00	ELECT	4.7uF	20%	50V (AEP, G, E)
C917	1-126-163-11	ELECT	4.7uF	20%	50V (US, Canadian)

Ref. No.	Part No.	Description	Remark
		< CONNECTOR >	
CNJ951A	1-526-794-11	OUTLET, AC (AEP, G)	
CNJ952A	1-526-794-11	OUTLET, AC (AEP, G)	
CNJ953A	1-526-794-11	OUTLET, AC (AEP, G)	
CNJ954A	1-540-043-11	OUTLET, AC (NONPLAR) (3P) (E)	
CNJ954	1-540-062-11	OUTLET, AC (POLAR) (US, Canadian)	
		< DIODE >	
D101	8-719-933-36	DIODE HZS6B1L	
D102	8-719-933-36	DIODE HZS6B1L	
D103	8-719-200-82	DIODE 11ES2	
D104	8-719-912-20	DIODE 1SS120	
D151	8-719-933-36	DIODE HZS6B1L	
D401	8-719-912-20	DIODE 1SS120	
		< PIN CONNECTOR >	
DR6	* 1-564-337-21	PIN, CONNECTOR 3P (AEP, G, E)	
DR6	* 1-564-337-61	PIN, CONNECTOR 3P (US, Canadian)	
DR7	* 1-564-337-21	PIN, CONNECTOR 3P (AEP, G, E)	
DR7	* 1-564-337-61	PIN, CONNECTOR 3P (US, Canadian)	
DR8	* 1-564-340-00	PIN, CONNECTOR 6P	
DR9	* 1-564-337-00	PIN, CONNECTOR 3P (AEP, G, E)	
DR9	* 1-564-705-11	PIN, CONNECTOR (SMALL TYPE) 3P (US, Canadian)	
DR10	* 1-564-705-11	PIN, CONNECTOR (SMALL TYPE) 3P (US, Canadian)	
DR10	* 1-564-705-41	PIN, CONNECTOR 3P (AEP, G, E)	
		< PLUG CONNECTOR >	
EH6	* 1-564-507-11	PLUG, CONNECTOR 4P	
EH9	* 1-564-506-11	PLUG, CONNECTOR 3P	
EH10	* 1-564-510-11	PLUG, CONNECTOR 7P	
EH14	* 1-564-510-11	PLUG, CONNECTOR 7P	
EH15	* 1-564-507-11	PLUG, CONNECTOR 4P	
EH17	* 1-564-509-11	PLUG, CONNECTOR 6P	
EH18	* 1-564-506-11	PLUG, CONNECTOR 3P	
EH19	* 1-564-512-11	PLUG, CONNECTOR 9P	
EH20	* 1-564-505-11	PLUG, CONNECTOR 2P	
EH21	* 1-564-506-11	PLUG, CONNECTOR 3P	
		< IC >	
IC201	8-759-982-03	IC RC5532DD	
IC202	8-759-982-15	IC RC7815FA	
IC203	8-759-982-41	IC RC7915FA	
IC401	8-759-604-28	IC M5238L	
IC402	8-759-604-28	IC M5238L	

Note:

The components identified by mark Δ or dotted line with mark Δ are critical for safety. Replace only with part number specified.

Note:

Les composants identifiés par une marque Δ sont critiques pour la sécurité. Ne les remplacer que par une pièce portant le numéro spécifié.

MAIN

EQ

CANON

OUTLET

Ref. No.	Part No.	Description	Remark
		< JACK >	
J101	1-580-054-11	JACK, PIN 2P	
J102	1-566-882-41	JACK, PIN 4P	
J103	1-566-882-41	JACK, PIN 4P	
J104	1-566-883-31	JACK, PIN 6P	
J105	1-566-883-31	JACK, PIN 6P (US, Canadian)	
J105	1-566-883-41	JACK, PIN 6P (AEP, G, E)	
J106	1-566-883-41	JACK, PIN 6P	
J401	1-580-061-11	PLUG, CONNECTOR 3P	
J402	1-580-061-11	PLUG, CONNECTOR 3P	
J403	1-580-060-11	RECEPTACLE, CONNECTOR 3P	
J404	1-580-060-11	RECEPTACLE, CONNECTOR 3P	
		< COIL >	
L201	1-424-397-11	COIL CHOKE 200uH (G)	
L202	1-424-397-11	COIL CHOKE 200uH (G)	
L251	1-424-397-11	COIL CHOKE 200uH (G)	
L252	1-424-397-11	COIL CHOKE 200uH (G)	
		< TRANSISTOR >	
Q101	8-729-201-56	TRANSISTOR 2SK246-GR2	
Q103	8-729-203-45	TRANSISTOR 2SC3423-0	
Q104	8-759-108-01	TRANSISTOR UPA68HA-M	
Q105	8-729-209-17	TRANSISTOR 2SA1360-0	
Q106	8-729-209-17	TRANSISTOR 2SA1360-0	
Q107	8-729-142-01	TRANSISTOR 2SC1941-LK	
Q108	8-729-142-01	TRANSISTOR 2SC1941-LK	
Q109	8-729-203-45	TRANSISTOR 2SC3423-0	
Q110	8-729-209-17	TRANSISTOR 2SA1360-0	
Q111	8-729-127-53	TRANSISTOR 2SC2275-P	
Q112	8-729-119-78	TRANSISTOR 2SC2785-HFE	
Q113	8-729-201-56	TRANSISTOR 2SK246-GR2	
Q114	8-729-119-78	TRANSISTOR 2SC2785-HFE	
Q115	8-729-141-03	TRANSISTOR 2SA733-QP	
Q116	8-729-201-56	TRANSISTOR 2SK246-GR2	
Q117	8-729-141-03	TRANSISTOR 2SA733-QP	
Q118	8-729-190-53	TRANSISTOR 2SA985A-P	
Q151	8-729-201-56	TRANSISTOR 2SK246-GR2	
Q153	8-729-203-45	TRANSISTOR 2SC3423-0	
Q154	8-759-108-01	TRANSISTOR UPA68HA-M	
Q155	8-729-209-17	TRANSISTOR 2SA1360-0	
Q156	8-729-209-17	TRANSISTOR 2SA1360-0	
Q157	8-729-142-01	TRANSISTOR 2SC1941-LK	
Q158	8-729-142-01	TRANSISTOR 2SC1941-LK	
Q159	8-729-203-45	TRANSISTOR 2SC3423-0	
Q160	8-729-209-17	TRANSISTOR 2SA1360-0	
Q201	8-729-214-73	TRANSISTOR 2SK147-V	
Q202	8-729-805-05	TRANSISTOR 2SC3601-E	

Ref. No.	Part No.	Description	Remark
Q203	8-729-119-78	TRANSISTOR 2SC2785-HFE	
Q204	8-729-201-56	TRANSISTOR 2SK246-GR2	
Q209	8-729-214-73	TRANSISTOR 2SK147-V	
Q251	8-729-214-73	TRANSISTOR 2SK147-V	
Q252	8-729-805-05	TRANSISTOR 2SC3601-E	
Q253	8-729-119-78	TRANSISTOR 2SC2785-HFE	
Q254	8-729-201-56	TRANSISTOR 2SK246-GR2	
Q259	8-729-214-73	TRANSISTOR 2SK147-V	
		< RESISTOR >	
R100	1-249-469-11	CARBON	100K 5% 1/4W
R101	1-246-545-00	CARBON	1.0M 5% 1/4W
R102	1-246-545-00	CARBON	1.0M 5% 1/4W
R103	1-246-545-00	CARBON	1.0M 5% 1/4W
R104	1-246-545-00	CARBON	1.0M 5% 1/4W
R105	1-246-545-00	CARBON	1.0M 5% 1/4W
R106	1-247-713-11	CARBON	1K 5% 1/4W
R107	1-247-713-11	CARBON	1K 5% 1/4W
R108	1-247-713-11	CARBON	1K 5% 1/4W
R109	1-247-713-11	CARBON	1K 5% 1/4W
R110	1-247-700-11	CARBON	100 5% 1/4W
R111	1-246-545-00	CARBON	1.0M 5% 1/4W
R112	1-249-673-11	CARBON	1K 5% 1/2W
R113	1-214-937-00	METAL	1M 1% 1/2W
R114	1-247-717-11	CARBON	2.2K 5% 1/4W
R115	1-249-798-11	CARBON	680 5% 1/2W
R116	1-249-824-11	CARBON	8.2K 5% 1/2W
R117	1-249-661-11	CARBON	330 5% 1/2W
R118	1-249-799-11	CARBON	750 5% 1/2W
R119	1-249-799-11	CARBON	750 5% 1/2W
R120	1-247-747-11	CARBON	470 5% 1/2W
R121	1-247-764-11	CARBON	10K 5% 1/2W
R122	1-249-677-11	CARBON	1.5K 5% 1/2W
R123	1-249-677-11	CARBON	1.5K 5% 1/2W
R124	1-259-571-11	CARBON	4.7K 1% 1/2W
R125	1-247-739-11	CARBON	100 5% 1/2W
R126	1-249-641-11	CARBON	47 5% 1/2W
R127	1-249-641-11	CARBON	47 5% 1/2W
R128	1-246-545-00	CARBON	1.0M 5% 1/4W
R129	1-249-512-11	CARBON	22 5% 1/4W
R136	1-249-547-11	CARBON	620 5% 1/4W
R137	1-259-547-11	CARBON	470 1% 1/2W
R138	1-249-547-11	CARBON	620 5% 1/4W
R143	1-249-469-11	CARBON	100K 5% 1/4W
R145	1-247-717-11	CARBON	2.2K 5% 1/4W
R146	1-247-704-11	CARBON	220 5% 1/4W
R147	1-247-725-11	CARBON	10K 5% 1/4W
R148	1-247-723-11	CARBON	6.8K 5% 1/4W
R150	1-249-469-11	CARBON	100K 5% 1/4W

MAIN

EQ

CANON

OUTLET

Ref. No.	Part No.	Description	Remark		
R151	1-246-545-00	CARBON	1.0M	5%	1/4W
R152	1-246-545-00	CARBON	1.0M	5%	1/4W
R153	1-246-545-00	CARBON	1.0M	5%	1/4W
R154	1-246-545-00	CARBON	1.0M	5%	1/4W
R155	1-246-545-00	CARBON	1.0M	5%	1/4W
R156	1-247-713-11	CARBON	1K	5%	1/4W
R157	1-247-713-11	CARBON	1K	5%	1/4W
R158	1-247-713-11	CARBON	1K	5%	1/4W
R159	1-247-713-11	CARBON	1K	5%	1/4W
R160	1-247-700-11	CARBON	100	5%	1/4W
R161	1-246-545-00	CARBON	1.0M	5%	1/4W
R162	1-249-673-11	CARBON	1K	5%	1/2W
R163	1-214-937-00	METAL	1M	1%	1/2W
R164	1-247-717-11	CARBON	2.2K	5%	1/4W
R165	1-249-798-11	CARBON	680	5%	1/2W
R166	1-249-824-11	CARBON	8.2K	5%	1/2W
R167	1-249-661-11	CARBON	330	5%	1/2W
R168	1-249-799-11	CARBON	750	5%	1/2W
R169	1-249-799-11	CARBON	750	5%	1/2W
R170	1-247-747-11	CARBON	470	5%	1/2W
R171	1-247-764-11	CARBON	10K	5%	1/2W
R172	1-249-677-11	CARBON	1.5K	5%	1/2W
R173	1-249-677-11	CARBON	1.5K	5%	1/2W
R174	1-259-571-11	CARBON	4.7K	1%	1/2W
R175	1-247-739-11	CARBON	100	5%	1/2W
R176	1-249-641-11	CARBON	47	5%	1/2W
R177	1-249-641-11	CARBON	47	5%	1/2W
R178	1-246-545-00	CARBON	1.0M	5%	1/4W
R179	1-249-512-11	CARBON	22	5%	1/4W
R186	1-249-547-11	CARBON	620	5%	1/4W
R187	1-259-547-11	CARBON	470	1%	1/2W
R188	1-249-547-11	CARBON	620	5%	1/4W
R193	1-249-469-11	CARBON	100K	5%	1/4W
R195	1-247-717-11	CARBON	2.2K	5%	1/4W
R196	1-247-704-11	CARBON	220	5%	1/4W
R197	1-247-725-11	CARBON	10K	5%	1/4W
R198	1-249-577-11	CARBON	11K	5%	1/4W
R201	1-249-465-11	CARBON	47K	5%	1/4W
R202	1-247-706-11	CARBON	330	5%	1/4W
(US, Canadian, AEP, E)					
R203	1-247-713-11	CARBON	1K	5%	1/4W
R204	1-247-700-11	CARBON	100	5%	1/4W
R205	1-247-128-00	CARBON	750	5%	1/4W
R206	1-247-128-00	CARBON	750	5%	1/4W
R207	1-249-512-11	CARBON	22	5%	1/4W
R208	1-247-708-11	CARBON	470	5%	1/4W
R209	1-249-518-11	CARBON	39	5%	1/4W
R210	1-247-704-11	CARBON	220	5%	1/4W
R211	1-247-721-11	CARBON	4.7K	5%	1/4W

Ref. No.	Part No.	Description	Remark		
R212	1-246-545-00	CARBON	1.0M	5%	1/4W
R213	1-249-843-11	CARBON	51K	1%	1/2W
R214	1-247-144-00	CARBON	3.6K	1%	1/4W
R215	1-249-818-11	CARBON	4.7K	1%	1/2W
R217	1-259-501-11	CARBON	6.8	5%	1/2W
R218	1-247-739-11	CARBON	100	5%	1/2W
R219	1-247-704-11	CARBON	220	5%	1/4W
R220	1-249-417-11	CARBON	1K	5%	1/4W (G)
R221	1-249-417-11	CARBON	1K	5%	1/4W (G)
R223	1-217-481-00	FUSIBLE	10	5%	1W F
R251	1-249-465-11	CARBON	47K	5%	1/4W
R252	1-247-706-11	CARBON	330	5%	1/4W
(US, Canadian, AEP, E)					
R253	1-247-713-11	CARBON	1K	5%	1/4W
R254	1-247-700-11	CARBON	100	5%	1/4W
R255	1-247-128-00	CARBON	750	5%	1/4W
R256	1-247-128-00	CARBON	750	5%	1/4W
R257	1-249-512-11	CARBON	22	5%	1/4W
R258	1-247-708-11	CARBON	470	5%	1/4W
R259	1-249-518-11	CARBON	39	5%	1/4W
R260	1-247-704-11	CARBON	220	5%	1/4W
R261	1-247-721-11	CARBON	4.7K	5%	1/4W
R262	1-246-545-00	CARBON	1.0M	5%	1/4W
R263	1-249-843-11	CARBON	51K	1%	1/2W
R264	1-247-144-00	CARBON	3.6K	1%	1/4W
R265	1-249-818-11	CARBON	4.7K	1%	1/2W
R267	1-259-501-11	CARBON	6.8	5%	1/2W
R268	1-247-739-11	CARBON	100	5%	1/2W
R269	1-247-704-11	CARBON	220	5%	1/4W
R270	1-249-417-11	CARBON	1K	5%	1/4W (G)
R271	1-249-417-11	CARBON	1K	5%	1/4W (G)
R273	1-217-481-00	FUSIBLE	10	5%	1W F
R402	1-247-725-11	CARBON	10K	5%	1/4W
R403	1-247-721-11	CARBON	4.7K	5%	1/4W
R405	1-247-725-11	CARBON	10K	5%	1/4W
R406	1-247-725-11	CARBON	10K	5%	1/4W
R407	1-246-545-00	CARBON	1.0M	5%	1/4W
R408	1-247-725-11	CARBON	10K	5%	1/4W
R409	1-247-725-11	CARBON	10K	5%	1/4W
R410	1-247-721-11	CARBON	4.7K	5%	1/4W
R411	1-246-545-00	CARBON	1.0M	5%	1/4W
R412	1-249-547-11	CARBON	620	5%	1/4W
R413	1-212-857-00	FUSIBLE	10	5%	1/4W F
R414	1-212-857-00	FUSIBLE	10	5%	1/4W F
R415	1-212-857-00	FUSIBLE	10	5%	1/4W F
R416	1-212-857-00	FUSIBLE	10	5%	1/4W F
R417	1-249-547-11	CARBON	620	5%	1/4W
R452	1-247-725-11	CARBON	10K	5%	1/4W
R453	1-247-721-11	CARBON	4.7K	5%	1/4W

Ref. No.	Part No.	Description	Remark		
C601	1-125-640-11	CAP, ELECT	10000uF	20%	50V
C602	1-125-640-11	CAP, ELECT	10000uF	20%	50V
C603	1-126-059-11	ELECT	10uF	20%	50V
C604	1-126-024-11	ELECT	220uF	20%	25V
C605	1-126-044-11	ELECT	1uF	20%	50V
C606	1-124-556-11	ELECT	2200uF	20%	16V
C607	△ 1-136-165-00	FILM	0.1uF	5%	50V
C608	△ 1-137-168-11	FILM	2.2uF	10%	63V
C609	1-126-059-11	ELECT	10uF	20%	50V
C610	1-126-059-11	ELECT	10uF	20%	50V
C611	1-124-927-11	ELECT	4.7uF	20%	100V
C801	△ 1-161-741-00	CERAMIC	0.001uF	10%	400V
C901	1-125-548-11	ELECT	0.1F		5.5V
C902	1-124-927-11	ELECT	4.7uF	20%	100V
C903	1-124-927-11	ELECT	4.7uF	20%	100V
C905	1-123-875-11	ELECT	10uF	20%	50V (AEP, G, E)
C905	1-124-907-11	ELECT	10uF	20%	50V (US, Canadian)
C906	1-126-233-11	ELECT	22uF	20%	50V
C907	1-136-161-00	FILM	0.047uF	5%	50V
C908	1-126-096-11	ELECT	10uF	20%	35V
C909	1-102-963-00	CERAMIC	33PF	5%	50V
C910	1-102-963-00	CERAMIC	33PF	5%	50V
C912	1-161-379-00	CERAMIC	0.01uF	20%	25V
C914	1-126-022-11	ELECT	47uF	20%	10V
C919	1-124-273-00	ELECT	3.3uF	20%	50V
C920	1-136-165-00	FILM	0.1uF	5%	50V
C921	1-123-875-11	ELECT	10uF	20%	50V (AEP, G, E)
C921	1-124-907-11	ELECT	10uF	20%	50V (US, Canadian)
C922	1-123-875-11	ELECT	10uF	20%	50V (AEP, G, E)
C922	1-124-907-11	ELECT	10uF	20%	50V (US, Canadian)
C933	1-136-165-00	FILM	0.1uF	5%	50V
C934	1-136-165-00	FILM	0.1uF	5%	50V
C935	1-161-379-00	CERAMIC	0.01uF	20%	25V
C936	1-161-379-00	CERAMIC	0.01uF	20%	25V
C937	1-161-379-00	CERAMIC	0.01uF	20%	25V
C938	1-124-791-11	ELECT	1uF	20%	50V (AEP, G, E)
C938	1-124-903-11	ELECT	1uF	20%	50V (US, Canadian)
C939	1-124-791-11	ELECT	1uF	20%	50V (AEP, G, E)
C939	1-124-903-11	ELECT	1uF	20%	50V (US, Canadian)
< CONNECTOR >					
CN101	* 1-564-599-11	PIN, CONNECTOR	8P		
CN102	* 1-564-599-11	PIN, CONNECTOR	8P		
CN103	* 1-562-573-11	SOCKET, CONNECTOR	8P		
CN104	* 1-566-878-11	PIN, CONNECTOR (PC BOARD)	8P		
CN105	* 1-565-484-11	CONNECTOR, BOARD TO BOARD	8P		

Ref. No.	Part No.	Description	Remark
CN106	1-568-118-11	SOCKET, CONNECTOR	16P
CN107	* 1-568-204-11	PIN, CONNECTOR (PC BOARD)	16P
CN108	* 1-568-204-11	PIN, CONNECTOR (PC BOARD)	16P
CN109	1-568-118-11	SOCKET, CONNECTOR	16P
CN110	1-568-577-11	PIN, CONNECTOR (PC BOARD)	3P
CN111	* 1-562-573-11	SOCKET, CONNECTOR	8P
CN112	* 1-565-835-11	SOCKET, CONNECTOR	3P
< DIODE >			
D105	8-719-912-20	DIODE 1SS120	
D301	8-719-010-67	DIODE UZ-10BSC	
D601	△ 8-719-911-55	DIODE U05G	
D602	△ 8-719-911-55	DIODE U05G	
D603	△ 8-719-911-55	DIODE U05G	
D604	△ 8-719-911-55	DIODE U05G	
D605	△ 8-719-200-82	DIODE 11ES2	
D606	△ 8-719-200-82	DIODE 11ES2	
D607	8-719-200-82	DIODE 11ES2	
D608	8-719-200-82	DIODE 11ES2	
D609	8-719-912-20	DIODE 1SS120	
D610	8-719-912-20	DIODE 1SS120	
D611	8-719-912-20	DIODE 1SS120	
D612	△ 8-719-200-82	DIODE 11ES2	
D613	△ 8-719-200-82	DIODE 11ES2	
D613A	8-719-301-52	DIODE SEL2810A-C (SOURCE DIRECT)	
D614	△ 8-719-200-82	DIODE 11ES2	
D614A	8-719-301-52	DIODE SEL2810A-C (ADAPTOR)	
D615	8-719-200-82	DIODE 11ES2	
D900	8-719-313-40	DIODE SEL1516W (VOLUME)	
D901	8-719-912-20	DIODE 1SS120	
D902	8-719-912-20	DIODE 1SS120	
D903	8-719-912-20	DIODE 1SS120	
D904	8-719-912-20	DIODE 1SS120	
D905	8-719-912-20	DIODE 1SS120	
D906	8-719-912-20	DIODE 1SS120	
D907	8-719-912-20	DIODE 1SS120	
D908	8-719-912-20	DIODE 1SS120	
D909	8-719-912-20	DIODE 1SS120	
D910	8-719-912-20	DIODE 1SS120	
D911	8-719-912-20	DIODE 1SS120	
D912	8-719-912-20	DIODE 1SS120	
D913	8-719-912-20	DIODE 1SS120	
D914	8-719-912-20	DIODE 1SS120	
D915	8-719-912-20	DIODE 1SS120	
D916	8-719-912-20	DIODE 1SS120	
D917	8-719-912-20	DIODE 1SS120	
D918	8-719-912-20	DIODE 1SS120	

Note:

The components identified by mark △ or dotted line with mark △ are critical for safety. Replace only with part number specified.

Note:

Les composants identifiés par une marque △ sont critiques pour la sécurité. Ne les remplacer que par une pièce portant le numéro spécifié.

Ref. No.	Part No.	Description	Remark	Ref. No.	Part No.	Description	Remark
D919	8-719-912-20	DIODE 1SS120				< IC >	
D920	8-719-912-20	DIODE 1SS120					
D921	8-719-912-20	DIODE 1SS120		IC101	8-759-982-03	IC RC5532DD	
D922	8-719-912-20	DIODE 1SS120		IC601	8-759-604-84	IC M5F7806L	
D923	8-719-912-20	DIODE 1SS120		IC602	8-759-604-84	IC M5F7806L	
				IC901	8-759-635-31	IC M50253P	
D924	8-719-912-20	DIODE 1SS120		IC902	8-759-239-47	IC TC74HC123AP	
D925	8-719-303-00	DIODE SEL2510C-C (TAPE1)					
D926	8-719-303-00	DIODE SEL2510C-C (TAPE2)		IC903	8-759-635-30	IC M50720-194SP	
D927	8-719-303-00	DIODE SEL2510C-C (TAPE3)		IC904	8-719-902-56	DIODE PC817	
D928	8-719-303-00	DIODE SEL2510C-C (AUX)		IC907	8-759-962-08	IC BA6208	
				IC908	8-759-962-08	IC BA6208	
D929	8-719-303-00	DIODE SEL2510C-C (CD)		IC909	8-749-920-59	IC A1QH3020S	
D930	8-719-303-00	DIODE SEL2510C-C (TUNER)				< JACK >	
D931	8-719-303-00	DIODE SEL2510C-C (PHONO)		J110	1-507-796-71	JACK (PHONES)	
D932	8-719-301-38	DIODE SEL2210S-C (STAND BY)		J601	* 1-569-625-11	SOCKET, CONNECTOR (POWER CONTROL) (AEP, G)	
D934	8-719-912-20	DIODE 1SS120				< TRANSISTOR >	
D935	8-719-912-20	DIODE 1SS120					
D936	8-719-912-20	DIODE 1SS120		Q601	8-729-194-57	TRANSISTOR 2SC945-P	
D937	8-719-912-20	DIODE 1SS120		Q602	8-729-141-03	TRANSISTOR 2SA733-QP	
D938	8-719-912-20	DIODE 1SS120		Q603	8-729-141-03	TRANSISTOR 2SA733-QP	
D939	8-719-912-20	DIODE 1SS120		Q604	8-729-194-57	TRANSISTOR 2SC945-P	
D940	8-719-912-20	DIODE 1SS120		Q605	8-729-140-96	TRANSISTOR 2SD774-34	
D941	8-719-301-52	DIODE SEL2810A-C (MUTING)					
		< CONNECTOR >		Q607	8-729-194-57	TRANSISTOR 2SC945-P	
DR1	* 1-564-337-21	PIN, CONNECTOR 3P (AEP, G, E)		Q901	8-729-900-36	TRANSISTOR DTC124ES	
DR1	* 1-564-337-81	PIN, CONNECTOR 3P (US, Canadian)		Q902	8-729-119-78	TRANSISTOR 2SC2785-HFE	
				Q903	8-729-620-05	TRANSISTOR 2SC2603-EF	
DR2	* 1-564-337-21	PIN, CONNECTOR 3P		Q904	8-729-900-80	TRANSISTOR DTC114ES	
DR3	* 1-564-337-00	PIN, CONNECTOR 3P					
DR4	* 1-564-338-31	PIN, CONNECTOR 4P		Q905	8-729-900-61	TRANSISTOR DTA114ES	
DR5	* 1-564-338-21	PIN, CONNECTOR 4P		Q906	8-729-900-61	TRANSISTOR DTA114ES	
		< CONNECTOR >		Q912	8-729-119-77	TRANSISTOR 2SA1175-FEK	
				Q913	8-729-900-61	TRANSISTOR DTA114ES	
						< RESISTOR >	
EH1	* 1-564-509-11	PLUG, CONNECTOR 6P		R130	1-249-465-11	CARBON 47K 5% 1/4W	
EH2	* 1-564-508-11	PLUG, CONNECTOR 5P		R131	1-249-465-11	CARBON 47K 5% 1/4W	
EH3	* 1-564-505-11	PLUG, CONNECTOR 2P		R132	1-249-497-11	CARBON 33K 5% 1/4W	
EH4	* 1-564-506-11	PLUG, CONNECTOR 3P		R133	1-247-721-11	CARBON 4.7K 5% 1/4W	
EH5	* 1-564-506-11	PLUG, CONNECTOR 3P		R134	1-247-739-11	CARBON 100 5% 1/2W	
EH6	* 1-564-505-11	PLUG, CONNECTOR 2P		R135	1-259-476-11	CARBON 100K 5% 1/6W	
EH7	* 1-564-508-11	PLUG, CONNECTOR 5P		R144	1-247-707-11	CARBON 390 5% 1/4W	
EH8	* 1-564-512-11	PLUG, CONNECTOR 9P		R180	1-249-465-11	CARBON 47K 5% 1/4W	
		< FUSE >		R181	1-249-465-11	CARBON 47K 5% 1/4W	
F801	△ 1-532-286-00	FUSE, TIME-LAG (2.5A) (AEP, G)		R182	1-249-497-11	CARBON 33K 5% 1/4W	
				R183	1-247-721-11	CARBON 4.7K 5% 1/4W	
				R184	1-247-739-11	CARBON 100 5% 1/2W	
				R185	1-259-476-11	CARBON 100K 5% 1/6W	
				R302	1-247-721-11	CARBON 4.7K 5% 1/4W	
				R303	1-247-711-11	CARBON 680 5% 1/4W	

Note:

The components identified by mark Δ or dotted line with mark Δ are critical for safety. Replace only with part number specified.

Note:

Les composants identifiés par une marque Δ sont critiques pour la sécurité. Ne les remplacer que par une pièce portant le numéro spécifié.

Ref. No.	Part No.	Description	Remark			Ref. No.	Part No.	Description	Remark		
R304	1-247-716-11	CARBON	1.8K	5%	1/4W	R905	1-249-433-11	CARBON	22K	5%	1/4W
R305	1-247-128-00	CARBON	750	5%	1/4W	R906	1-249-433-11	CARBON	22K	5%	1/4W
R306	1-249-577-11	CARBON	11K	5%	1/4W	R907	1-249-433-11	CARBON	22K	5%	1/4W
R307	1-247-138-00	CARBON	2K	5%	1/4W	R908	1-249-417-11	CARBON	1K	5%	1/4W
R309	1-249-577-11	CARBON	11K	5%	1/4W	R909	1-249-429-11	CARBON	10K	5%	1/4W
R310	1-259-502-11	CARBON	4.7M	5%	1/4W	R910	1-247-887-00	CARBON	220K	5%	1/4W
R311	1-259-502-11	CARBON	4.7M	5%	1/4W	R911	1-249-441-11	CARBON	100K	5%	1/4W
R312	1-259-502-11	CARBON	4.7M	5%	1/4W	R912	1-249-441-11	CARBON	100K	5%	1/4W
R313	1-259-502-11	CARBON	4.7M	5%	1/4W	R913	1-247-895-00	CARBON	470K	5%	1/4W
R314	1-259-502-11	CARBON	4.7M	5%	1/4W	R914	1-249-425-11	CARBON	4.7K	5%	1/4W
R315	1-259-502-11	CARBON	4.7M	5%	1/4W	R915	1-249-430-11	CARBON	12K	5%	1/4W
R316	1-247-152-00	CARBON	8.2K	5%	1/4W	R916	1-249-405-11	CARBON	100	5%	1/4W
R317	1-249-469-11	CARBON	100K	5%	1/4W	R917	1-247-903-00	CARBON	1M	5%	1/4W
R352	1-247-721-11	CARBON	4.7K	5%	1/4W	R918	1-249-429-11	CARBON	10K	5%	1/4W
R353	1-247-711-11	CARBON	680	5%	1/4W	R919	1-249-429-11	CARBON	10K	5%	1/4W
R354	1-247-716-11	CARBON	1.8K	5%	1/4W	R920	1-249-425-11	CARBON	4.7K	5%	1/4W
R355	1-247-128-00	CARBON	750	5%	1/4W	R921	1-249-429-11	CARBON	10K	5%	1/4W
R356	1-249-577-11	CARBON	11K	5%	1/4W	R922	1-249-425-11	CARBON	4.7K	5%	1/4W
R357	1-247-138-00	CARBON	2K	5%	1/4W	R923	1-249-425-11	CARBON	4.7K	5%	1/4W
R359	1-249-577-11	CARBON	11K	5%	1/4W	R924	1-249-425-11	CARBON	4.7K	5%	1/4W
R360	1-259-502-11	CARBON	4.7M	5%	1/4W	R925	1-249-425-11	CARBON	4.7K	5%	1/4W
R361	1-259-502-11	CARBON	4.7M	5%	1/4W	R926	1-249-413-11	CARBON	470	5%	1/4W
R362	1-259-502-11	CARBON	4.7M	5%	1/4W	R927	1-249-429-11	CARBON	10K	5%	1/4W
R363	1-259-502-11	CARBON	4.7M	5%	1/4W	R928	1-249-429-11	CARBON	10K	5%	1/4W
R364	1-259-502-11	CARBON	4.7M	5%	1/4W	R929	1-249-429-11	CARBON	10K	5%	1/4W
R365	1-259-502-11	CARBON	4.7M	5%	1/4W	R930	1-249-429-11	CARBON	10K	5%	1/4W
R366	1-247-152-00	CARBON	8.2K	5%	1/4W	R931	1-249-429-11	CARBON	10K	5%	1/4W
R367	1-249-469-11	CARBON	100K	5%	1/4W	R932	1-249-421-11	CARBON	2.2K	5%	1/4W
R601	1-247-717-11	CARBON	2.2K	5%	1/4W	R933	1-247-703-11	CARBON	180	5%	1/4W
R602	1-249-465-11	CARBON	47K	5%	1/4W	R934	1-247-688-11	CARBON	10	5%	1/4W
R603	1-247-721-11	CARBON	4.7K	5%	1/4W	R936	1-247-688-11	CARBON	10	5%	1/4W
R604	1-249-468-11	CARBON	82K	5%	1/4W	R938	1-249-429-11	CARBON	10K	5%	1/4W
R605	1-247-717-11	CARBON	2.2K	5%	1/4W	R940	1-249-399-11	CARBON	33	5%	1/4W
R606	1-247-721-11	CARBON	4.7K	5%	1/4W	R941	1-249-441-11	CARBON	100K	5%	1/4W
R607	1-247-116-00	CARBON	240	5%	1/4W	R942	1-249-429-11	CARBON	10K	5%	1/4W
R608	1-249-462-11	CARBON	22K	5%	1/4W	R943	1-249-401-11	CARBON	47	5%	1/4W
R609	1-249-465-11	CARBON	47K	5%	1/4W	R944	1-249-417-11	CARBON	1K	5%	1/4W
R612	1-247-721-11	CARBON	4.7K	5%	1/4W	R945	1-249-441-11	CARBON	100K	5%	1/4W
R613	1-247-725-11	CARBON	10K	5%	1/4W	R946	1-249-441-11	CARBON	100K	5%	1/4W
R614	1-249-462-11	CARBON	22K	5%	1/4W	R947	1-249-441-11	CARBON	100K	5%	1/4W
R615	1-246-435-00	CARBON	27	5%	1/4W (AEP, G, E)	R948	1-249-441-11	CARBON	100K	5%	1/4W
R615	1-247-693-11	CARBON	27	5%	1/4W (US, Canadian)	R949	1-247-710-11	CARBON	560	5%	1/4W
R616	1-247-721-11	CARBON	4.7K	5%	1/4W	R950	1-247-708-11	CARBON	470	5%	1/4W
R901	1-249-433-11	CARBON	22K	5%	1/4W	R951	1-249-429-11	CARBON	10K	5%	1/4W
R902	1-249-433-11	CARBON	22K	5%	1/4W	R952	1-249-441-11	CARBON	100K	5%	1/4W
R903	1-249-433-11	CARBON	22K	5%	1/4W	R953	1-249-393-11	CARBON	10	5%	1/4W
R904	1-249-433-11	CARBON	22K	5%	1/4W	R954	1-247-706-11	CARBON	330	5%	1/4W
						R955	1-249-399-11	CARBON	33	5%	1/4W
						R956	1-247-706-11	CARBON	330	5%	1/4W

Ref.No.	Part No.	Description	Remark
R957	1-249-429-11	CARBON 10K 5% 1/4W	
R958	1-249-429-11	CARBON 10K 5% 1/4W	

< VARIABLE RESISTOR >

RV301	1-241-187-11	RES. VAR. CARBON 250K/250K (BALANCE)	
RV302	1-241-189-11	RES. VAR. CARBON 25K/100K (TREBLE)	
RV303	1-241-188-11	RES. VAR. CARBON 25K/250K (BASS)	
RV304	1-241-186-11	RES. VAR. CARBON 60K/60K (ATTENUATOR)	

< RELAY >

RY103 1-515-725-11 RELAY

RY601 Δ 1-515-617-11 RELAY (AEP, G, E)RY601 Δ 1-515-701-11 RELAY (US, Canadian)

RY901 1-515-725-11 RELAY

RY902 1-515-725-11 RELAY

< SWITCH >

S104	1-572-095-11	SWITCH, ROTARY (ATTENUATOR)	
S302	1-572-428-11	SWITCH, PUSH (2 KEY) (SUBSONIC)	
S304	1-572-429-11	SWITCH, PUSH (2 KEY) (SOURCE DIRECT)	
S305	1-572-427-11	SWITCH, PUSH (2 KEY) (TURNOVER)	
S306	1-572-427-11	SWITCH, PUSH (2 KEY) (TURNOVER)	
S307	1-572-428-11	SWITCH, PUSH (2 KEY) (MODE)	
S308	1-572-426-11	SWITCH, PUSH (1 KEY) (OUTPUT)	
S901	1-554-303-21	SWITCH, TACTILE (POWER)	
S902	1-554-303-21	SWITCH, TACTILE (MUTING)	
S951	Δ 1-571-309-11	SWITCH (VOLTAGE SELECTOR) (E)	

< TRANSFORMER >

T2	Δ 1-450-184-11	TRANSFORMER, POWER (AEP, G)	
T2	Δ 1-450-185-11	TRANSFORMER, POWER (E)	
T2	Δ 1-450-439-11	TRANSFORMER, POWER (US, Canadian)	

< CONNECTOR >

VH3	* 1-564-321-00	PIN, CONNECTOR 2P	
VH4	* 1-564-687-11	PIN, CONNECTOR 3P (E)	
VH5	1-535-139-00	BASE POST 22MM (10MM PITCH) 2P (US, Canadian)	
VH5	* 1-565-792-11	PIN, CONNECTOR 2P (AEP, G)	
VH6	* 1-564-104-00	PIN, CONNECTOR 3P	
VH7	* 1-564-321-11	PIN, CONNECTOR 2P (E)	

< CERAMIC >

X901 1-577-260-21 VIBRATOR, CERAMIC 2MHz

Ref.No.	Part No.	Description	Remark
		MISCELLANEOUS	

107	1-572-431-11	SWITCH, ROTARY SLIDE (REMOTE)	
108	1-572-430-11	SWITCH, ROTARY SLIDE (REMOTE)	
162	Δ 1-575-953-11	CORD, POWER (AEP, G)	
163	Δ 1-559-297-31	CORD, POWER (E)	
164	Δ 1-569-007-11	ADAPTOR, CONVERSION 2P (E3)	
165	Δ 1-559-479-11	CORD, POWER (US, Canadian)	
T901	Δ 1-450-182-11	TRANSFORMER, POWER (AEP, G)	
T901	Δ 1-450-183-11	TRANSFORMER, POWER (E)	
T901	Δ 1-450-440-11	TRANSFORMER, POWER (US, Canadian)	

ACCESSORY & PACKING MATERIAL

1-465-532-11	REMOTE COMMANDER (RM-808) (AEP, G, E)
1-465-790-11	REMOTE COMMANDER (RM-S806) (US, Canadian)
1-558-271-11	CORD, CONNECTION
3-707-584-01	COVER, BATTERY
3-752-327-11	MANUAL, INSTRUCTION (ENGLISH/FRENCH/ SPANISH/PORTUGUESE) (AEP, E)
3-752-327-21	MANUAL, INSTRUCTION (ENGLISH/FRENCH/ SPANISH/PORTUGUESE) (US, Canadian)
3-752-327-41	MANUAL, INSTRUCTION (GERMAN/DUTCH/ SWEDISH/ITALIAN) (AEP, G)
* 4-933-001-01	CUSHION
* 4-941-753-01	INDIVIDUAL CARTON

HARDWARE LIST

# 1	7-682-547-09	SCREW +B 3X6
# 2	7-685-648-79	SCREW +BVTP 3X12 TYPE2 IT-3 (G)
# 3	7-685-647-79	SCREW +BVTP 3X10 TYPE2 SLIT
# 4	7-682-548-09	SCREW +B 3X8
# 5	7-682-566-09	SCREW +B 4X20
# 6	7-682-561-09	SCREW +B 4X8
# 7	7-682-148-15	SCREW +P 3X8
# 8	7-685-649-79	SCREW +BVTP 3X14 TYPE2 SLIT
# 9	7-685-646-79	SCREW +BTP 3X8 TYPE2 N-S
#10	7-621-849-00	SCREW +RTP 3.1X10
#11	7-685-651-79	SCREW +BVTP 3X20 TYPE2 SLIT
#12	7-682-549-09	SCREW +B 3X10
#13	7-682-149-15	SCREW, TR
#14	7-685-876-09	SCREW +BVTT 3X16 (S)
#15	7-684-024-04	N 4, TYPE 2

Note:

The components identified by mark Δ or dotted line with mark Δ are critical for safety. Replace only with part number specified.

Note:

Les composants identifiés par une marque Δ sont critiques pour la sécurité. Ne les remplacer que par une pièce portant le numéro spécifié.

TA-E80ES

SONY[®] SERVICE MANUAL

*US Model
Canadian Model
AEP Model
E Model*

SUPPLEMENT-1

File this supplement with the service manual.

The gold color version is added to the TA-E80ES(AEP model) released lately, and therefore only the added parts are described. For the other parts, see TA-E80ES Service Manual(9-956-038-12).


SECTION 4 EXPLODED VIEWS (Service Manual See page 19~22)

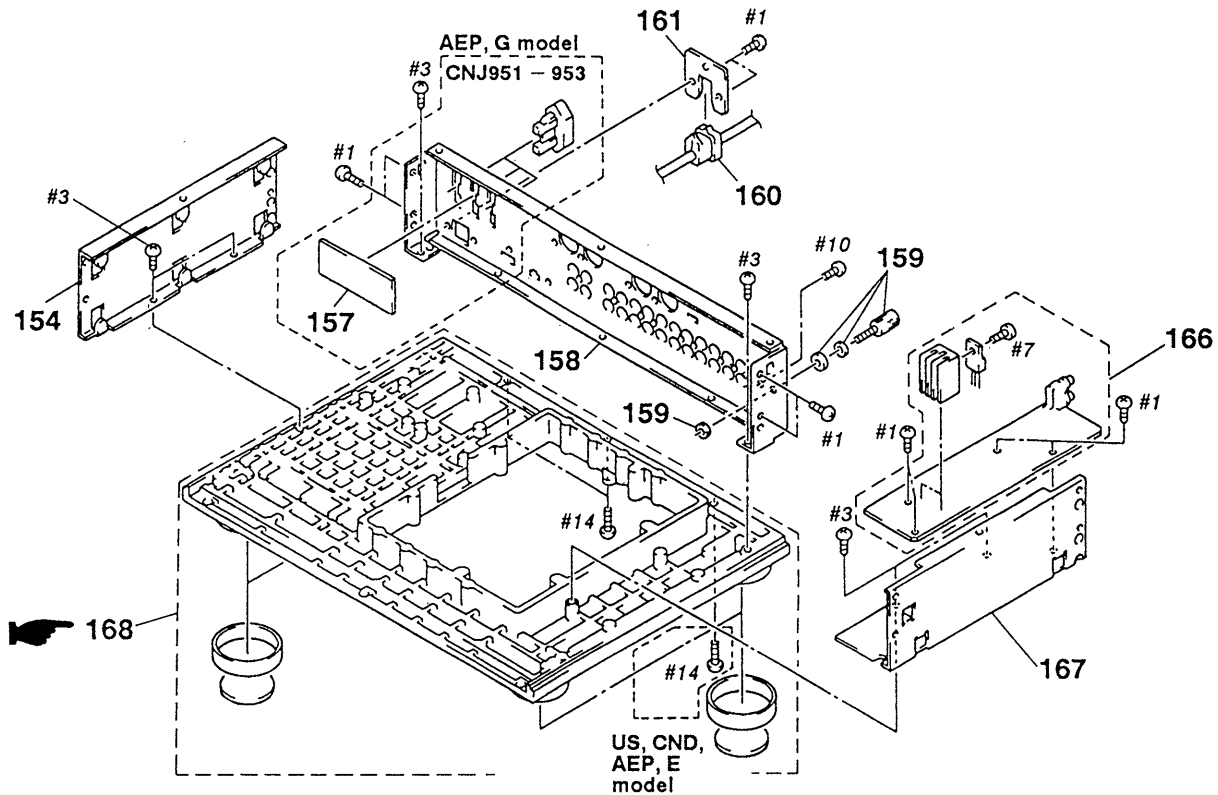
(1) CABINET SECTION (Service Manual See page 19)

<u>Ref.No.</u>	<u>Part No.</u>	<u>Description</u>	<u>Remark</u>
1	A-4325-259-A	PANEL ASSY, FRONT	
2	X-4941-850-1	KNOB (VOL) ASSY	
5	4-923-879-31	BUTTON (DIA. 4)	
6	4-915-338-51	KNOB, SQUARE	
8	4-922-265-11	KNOB (FLAT-16)	
9	4-922-266-11	KNOB (ROUND-16)	
10	4-922-264-11	KNOB (FUN)	
11	X-4941-846-1	PANEL (L) ASSY, SIDE	
13	4-922-238-21	PLATE, TOP	
14	4-921-439-11	SCREW(M3×8), FLAT HEAD	
15	X-4941-847-1	PANEL (R) ASSY, SIDE	

(4) MAIN CHASSIS SECTION (Service Manual See page 22)

<u>Ref.No.</u>	<u>Part No.</u>	<u>Description</u>	<u>Remark</u>
158	* 4-922-260-31	PANEL, BACK	
161	* 4-923-873-11	BRACKET, CORD STOPPER	
168	X-4941-861-1	CHASSIS ASSY	

 : For this part only, see the disassembly drawing on the next page.



SECTION 5
ELECTRICAL PARTS LIST (Service Manual See page 29)

<u>Ref. No.</u>	<u>Part No.</u>	<u>Description</u>	<u>Remark</u>
D925	8-719-301-52	LED SEL2810A-C (TAPE1)	
D926	8-719-301-52	LED SEL2810A-C (TAPE2)	
D927	8-719-301-52	LED SEL2810A-C (TAPE3)	
D928	8-719-301-52	LED SEL2810A-C (AUX)	
D929	8-719-301-52	LED SEL2810A-C (CD)	
D930	8-719-301-52	LED SEL2810A-C (TUNER)	
D931	8-719-301-52	LED SEL2810A-C (PHONO)	

TA-E80ES

SONY[®] SERVICE MANUAL

US Model
Canadian Model
AEP Model
E Model

SUPPLEMENT-2

File this supplement with the service manual.

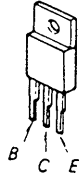
The parts numbers of service parts for the TA-E80ES have been changed. This manual covers the changed parts only. For the other parts, refer to the Service Manual (9-956-038-11) and the Supplement-1 (9-956-038-81).

 : changed portion  : added portion  : deleted portion

SECTION 3 DIAGRAMS

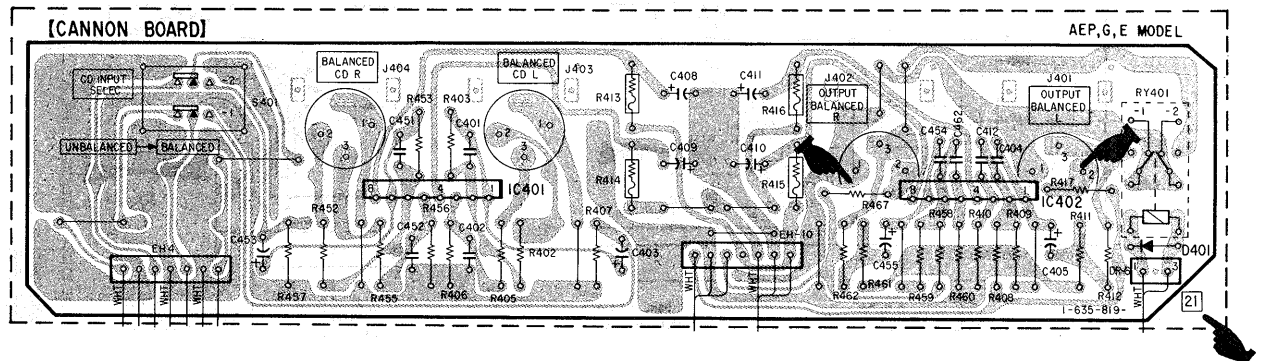
3-2. SEMICONDUCTOR LEAD LAYOUTS (Service Manual See page 9)

 2SA988-OP
2SC2275-P



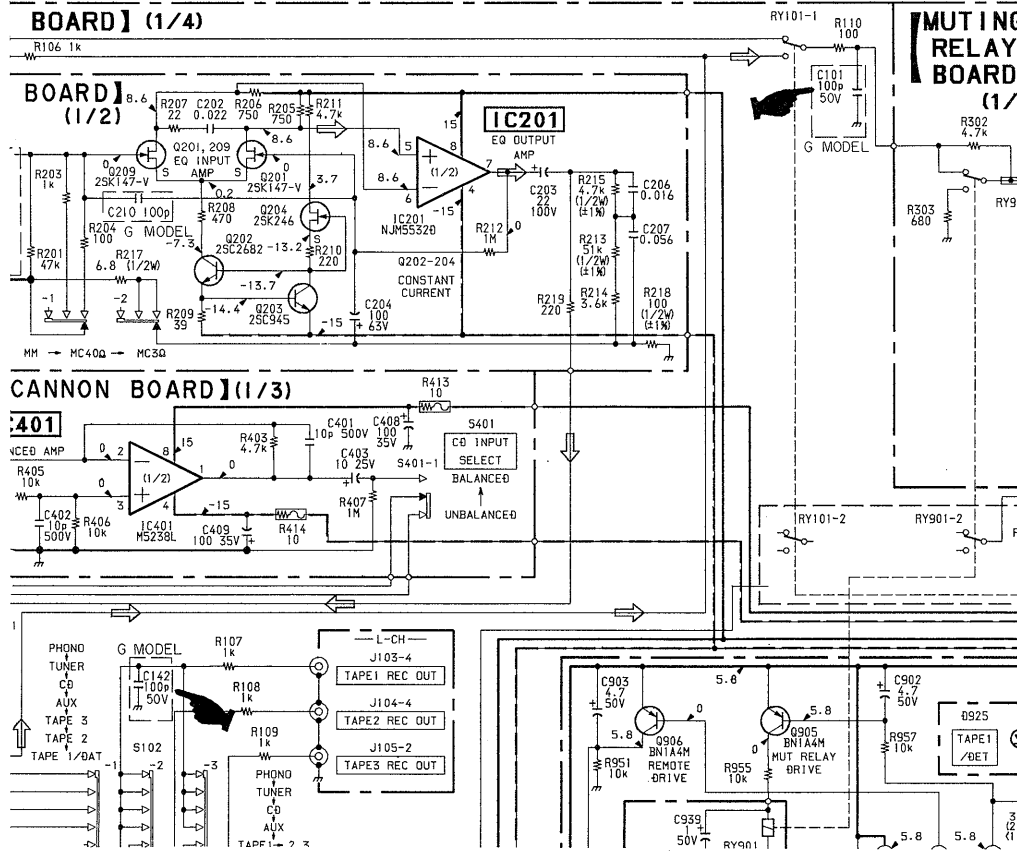
3-3. PRINTED WIRING BOARDS (Service Manual See page 10)

Location A-C, 1-8 • Same boards as those for US, Canadian are used.

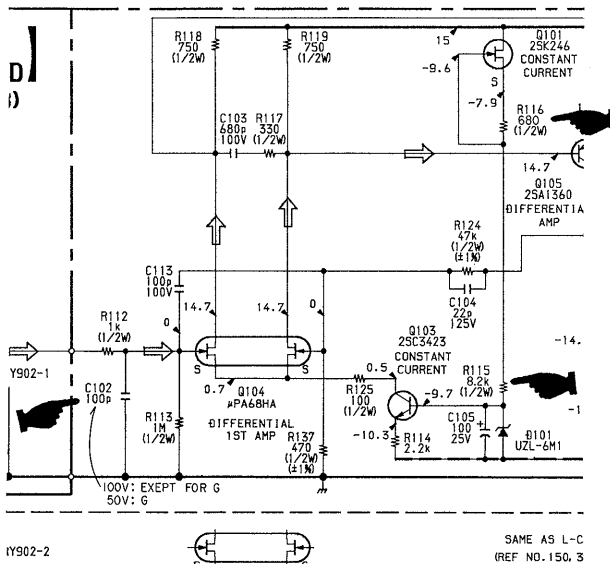


3-4. SCHEMATIC DIAGRAM (Service Manual See page 15~18)

Location A-F, 3-9

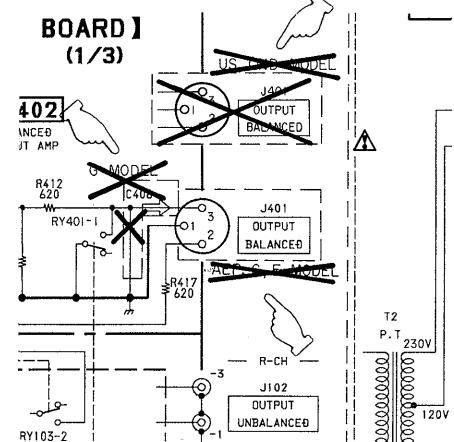


Location A-D, 18-21



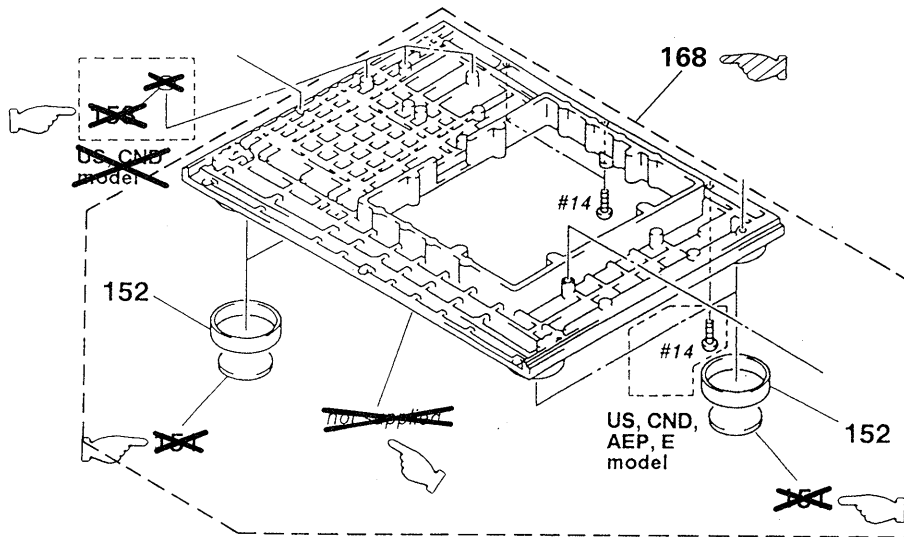
• Same circuits as those for US, Canadian are used.

Location D-F, 28-30



SECTION 4 EXPLODED VIEWS

(4) MAIN CHASSIS SECTION (Service Manual See page 22)



No. Part No. Description Remarks

- | | | | | |
|--|----------------|-------------------------|----------------------------------|--|
| | 151 | 4-908-888-01 | FOOT, TUNING | |
| | 153 | 4-944-056-01 | SPACER (US, Canadian) | |
| | 168 | X-4941-170-1 | CHASSIS ASSY | |

SECTION 5 ELECTRICAL PARTS LIST

	Ref.No.	Part No.	Description				Remarks
	C101	1-110-335-11	MYLAR	100PF	5%	50V (G)	}
	C102	1-136-808-11	FILM	100PF	5%	100V (EXEPT FOR G)	
	C102	1-110-335-11	MYLAR	100PF	5%	50V (G)	
	C105	1-124-122-11	ELECT	100MF	20%	25V	
	C120	1-124-122-11	ELECT	100MF	20%	25V	
	C130	1-124-910-11	ELECT	47MF	20%	25V	
	C142	1-110-335-11	MYLAR	100PF	5%	50V (G)	
	C151	1-110-335-11	MYLAR	100PF	5%	50V (G)	
	C152	1-136-808-11	FILM	100PF	5%	100V (EXEPT FOR G)	
	C152	1-110-335-11	MYLAR	100PF	5%	50V (G)	
	C155	1-124-122-11	ELECT	100MF	20%	25V	
	C180	1-124-122-11	ELECT	100MF	20%	25V	
	C192	1-110-335-11	MYLAR	100PF	5%	50V (G)	
	C210	1-162-282-31	CERAMIC	100PF	10%	50V (G)	
	C260	1-162-282-31	CERAMIC	100PF	10%	50V (G)	
	C403	1-124-915-11	ELECT	10MF	20%	25V	}
	C405	1-124-910-11	ELECT	47MF	20%	25V	
	C406	1-136-808-11	FILM	100PF	5%	100V (G)	
	C403	1-124-915-11	ELECT	10MF	20%	25V	
	C455	1-124-910-11	ELECT	47MF	20%	50V	
	C456	1-136-808-11	FILM	100PF	5%	100V (G)	
	C916	1-126-163-11	ELECT	4.7MF	20%	50V	}
	C917	1-126-163-11	ELECT	4.7MF	20%	50V	
	DR10	1-564-705-11	PIN, CONNECTOR (SMALL TYPE) 3P				
	J105	1-566-883-31	JACK, PIN 6P				
	Q118	8-729-141-10	TRANSISTOR 2SA985-QP				
	R115	1-249-824-11	CARBON	8.2K	5%	1/2W	
	R116	1-249-798-11	CARBON	680	5%	1/2W	
	R165	1-249-824-11	CARBON	8.2K	5%	1/2W	
	R166	1-249-798-11	CARBON	680	5%	1/2W	
	R467	1-249-547-11	CARBON	620	5%	1/4W	
	C111	1-124-122-11	ELECT	100MF	20%	25V	}
	C130	1-124-122-11	ELECT	100MF	20%	25V	
	C131	1-124-122-11	ELECT	100MF	20%	25V	
	C161	1-124-122-11	ELECT	100MF	20%	25V	
	C905	1-124-907-11	ELECT	10MF	20%	50V	
	C921	1-124-907-11	ELECT	10MF	20%	50V	}
	C922	1-124-907-11	ELECT	10MF	20%	50V	
	C938	1-124-903-11	ELECT	1MF	20%	50V	
	C939	1-124-903-11	ELECT	1MF	20%	50V	
		R615	1-247-693-11	CARBON	27	5%	
	S901	1-570-472-11	SWITCH, KEY BOARD (POWER)				}
	S902	1-570-472-11	SWITCH, KEY BOARD (MUTING)				
		1-465-532-11	REMOTE COMMANDER (RM-808)(E)				
		1-465-877-11	REMOTE COMMANDER (RM-S808)(AEP, G, E)				